

**NEW**

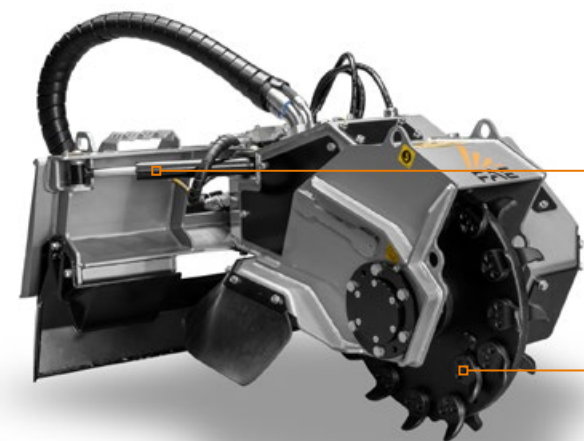
**STUMP CUTTERS FOR SKID STEERS**

# SCL/SSL

Stump cutters for 75-120 hp skid steers.

The SCL/SSL works with 75-120 hp skid steers. This head can shred large stumps and roots up to 20 in deep. Lateral oscillation with proportional hydraulic control makes it possible to work on a large area without

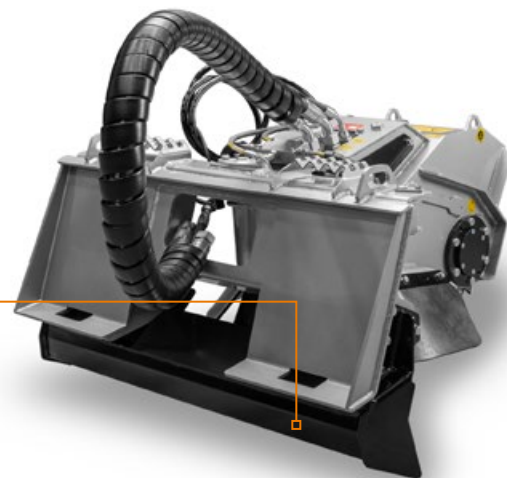
moving the vehicle. The SCL/SSL's Direct Drive motor minimizes maintenance and makes it possible to have an extremely compact machine body.



**Proportional hydraulic control** of the lateral oscillation

**Disc rotor**

**Support blade** for added stability while in operation (option)



**MAIN OPTIONS**



**Wiring adaptors**  
Wiring adaptors interface to allows a Plug & Play coupling with the most popular skid steers



**Support blade**



75-120 hp



20 in max



Ø 16 in max



**STANDARD EQUIPMENT**

125 cc hydraulic piston motor	Direct-drive transmission
Hydraulic block with safety and anticavitation valves	Hydraulic and proportional swing control
12 V diverter valve	Enclosed, dust-resistant machine body
Hydraulic hoses	Supporting leg
Interchangeable forged steel rotor shafts	Motor enclosed in the frame

**OPTIONS**

Adaptor wiring	Support blade
Case drain required	

**MODEL**

	<b>STC/SSL</b>
<b>Engine</b> (hp)	75-120
<b>Flow rate</b> (gal/min)	32-40
<b>Pressure</b> (PSI)	2600-5080
<b>Working width max</b> (in)	37
<b>Total width</b> (in)	46
<b>Weight</b> (lbs)	992
<b>Max. shredding diameter</b> (in)	16
<b>Disc rotor diameter</b> (in)	26
<b>Disc rotor width</b> (in)	4.4
<b>Max. working depth</b> (in)	20
<b>No. teeth</b> type L/1+L/2	15+15

*Data refers to machine as standard. The technical data in this catalogue may be altered without prior notice.*

**DISC ROTOR**



**TOOTH L/1**  
(standard)



**TOOTH L/2**  
(standard)