

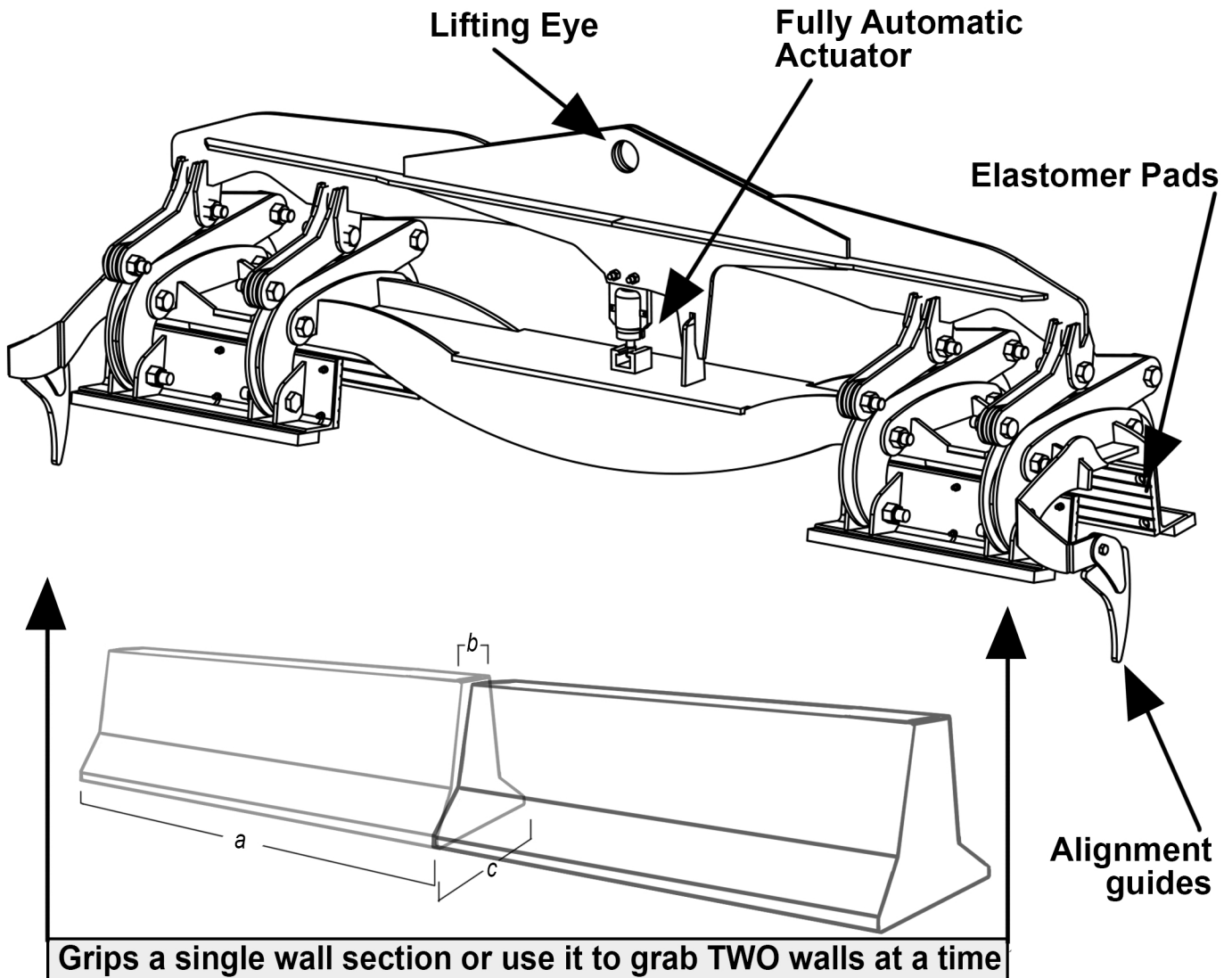


Toll Free: 1-800-653-6069

DOUBLE BARRIER LIFT

Move one wall
OR two wall
sections at a time

Two barrier wall sections can be moved at a time without needing to be pinned together.



These lifting attachments are custom - built based on the
 ___ (a) Length of wall ___ (b) Width of wall top ___ (c) Weight of wall