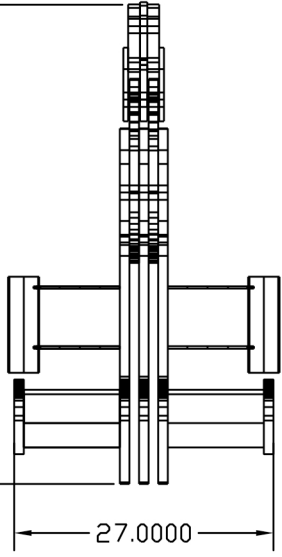
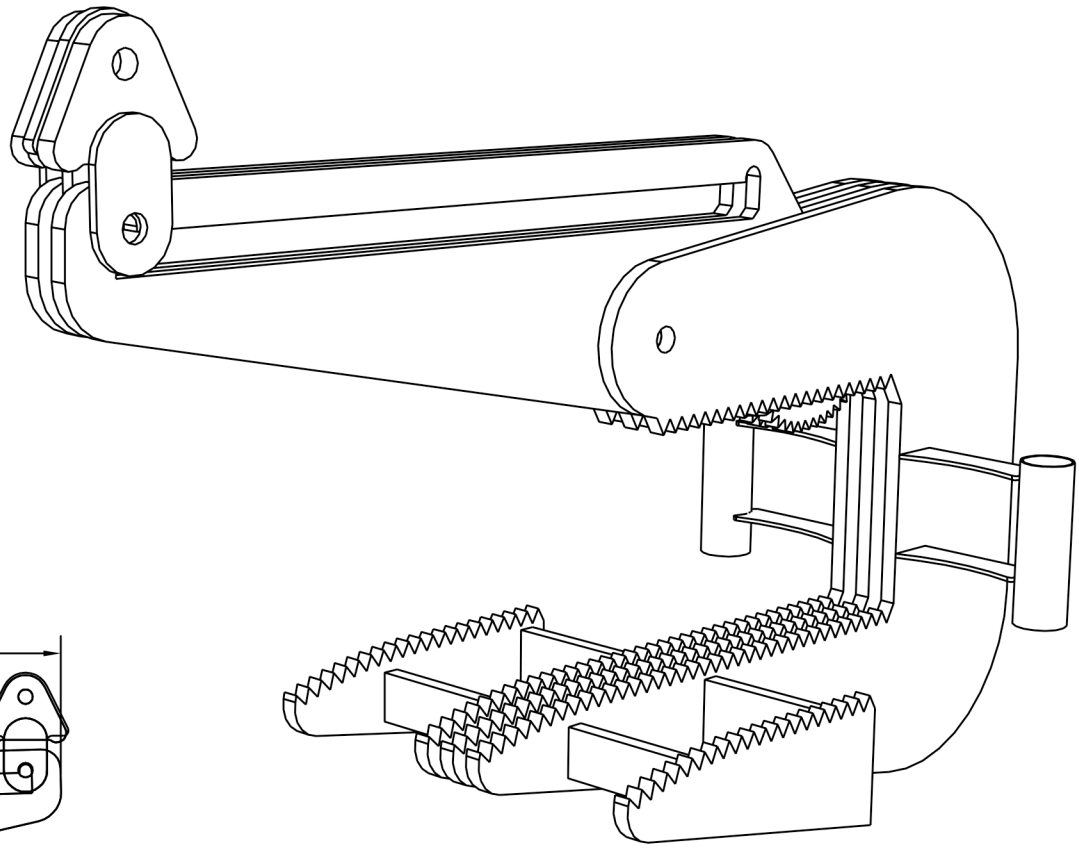


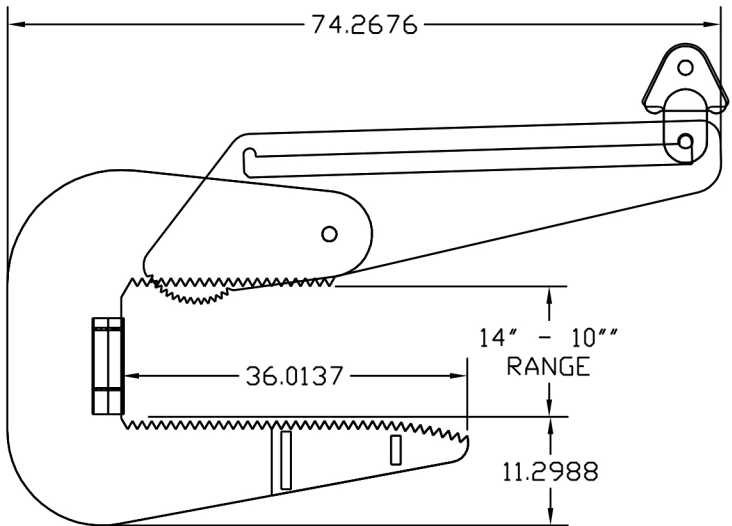
49.8785



27.0000



74.2676



36.0137

14" - 10" RANGE

11.2988

MULTIPLE SLIDE  
LOCATIONS WILL  
ACCOMIDATE VARYING  
SLAB LENGTHS  
10'-6'

DRAWN BY

GC

DATE

2/4/2010



KENCO CORPORATION  
170 STATE ROUTE 271, LIGONIER, PA 15658  
www.kenco.com 1-888-4-ATTACH

THE INFORMATION PROVIDED WITHIN THIS DRAWING IS THE  
PROPERTY OF KENCO CORPORATION. ANY REPRODUCTION,  
TRANSMITTAL OR USAGE OF ANY KIND IS PROHIBITED  
WITHOUT WRITTEN PERMISSION.

WEIGHT: APP.

CAPACITY:

MAX. PRESSURE: N/A PSI

DESCRIPTION

SLAB LIFT PROPOSAL 5' X 10' X 11" NOM.  
NOT FOR FAB  
8000 LBS. CAP.

PART NO.

00-00000

NEXT ASSY

N/A