

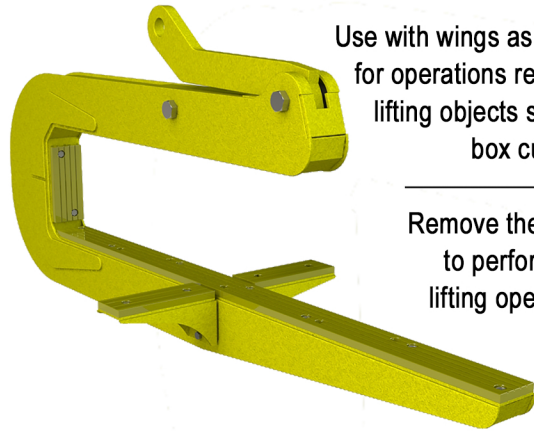


www.kenco.com

Toll Free: 1-800-653-6069

MODIFICATION PLATES INSTALLATION

WILL TRANSFORM THE KENCO PIPE HOOK INTO A BOX CULVERT LIFTER



Use with wings as shown for operations requiring lifting objects such as box culverts.

Remove the wings to perform pipe lifting operations

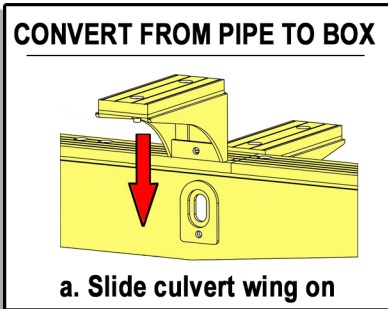


Figure C

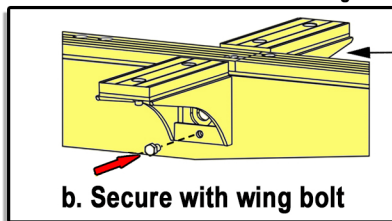


Figure D

Pads are all on an even plane

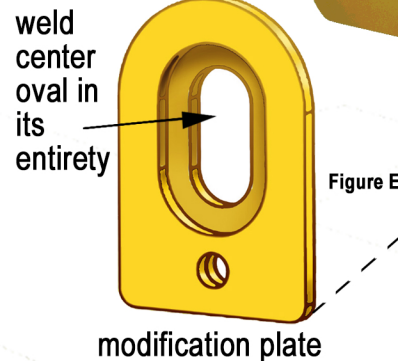
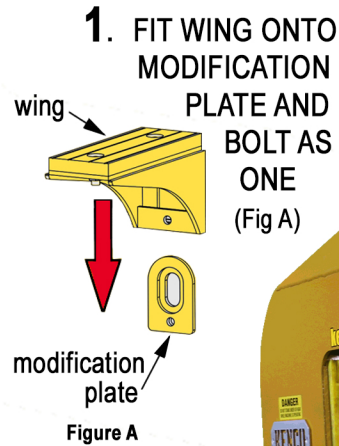


Figure E

NOTE:
All welding must comply with AWS 14.1 standards

Thinnest Material Size	Single Fillet
1/2"	7/16"
3/4"	1/2"
1"	3/4"
1 - 1/2"	1"

Figure F

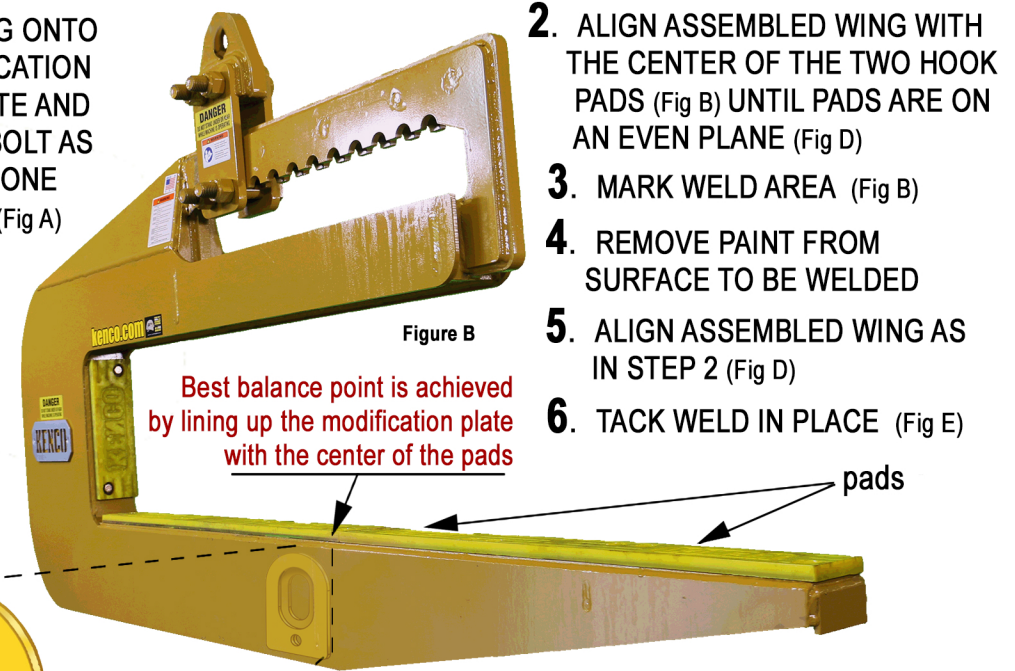


Figure B

- REMOVE WING, LEAVING MODIFICATION PLATE IN TACKED POSITION (Fig B)
- REMOVE PADS FROM HOOK (Fig B)
- WELD MODIFICATION PLATE (Fig E, Fig F)
- REPEAT THE SAME PROCEDURE ON OPPOSITE SIDE OF HOOK
- REMOVE ANY SPALLS
- PAINT BARE METAL SURFACES
- REPLACE PADS ON HOOK (Fig B)
- LIFTER CAN NOW BE EASILY CONVERTED BETWEEN PIPE AND BOX CULVERT OBJECTS (Fig C, Fig D)