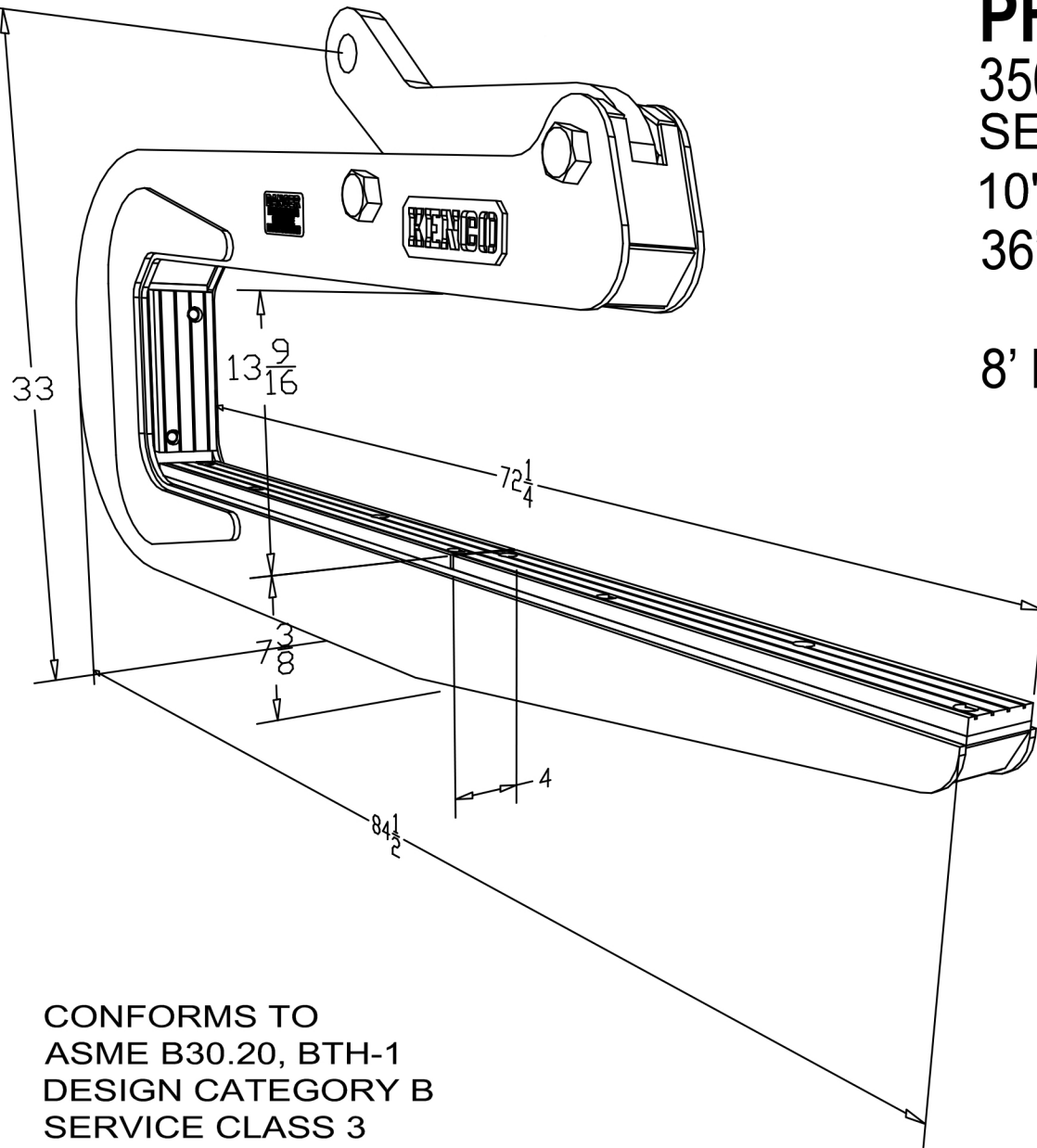


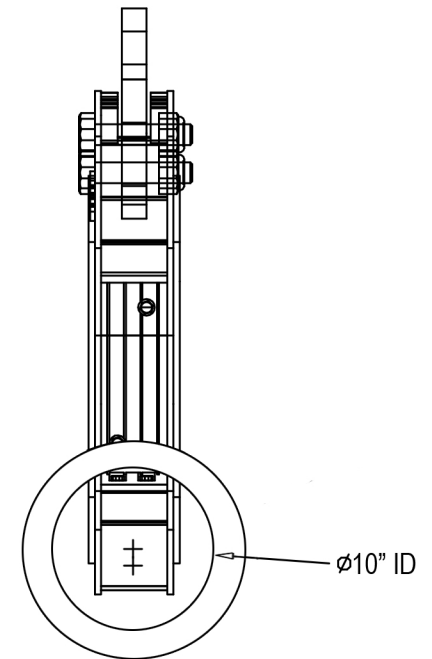
PH3500SB


3500 POUND CAPACITY
 SELF BALANCING PIPE HOOK
 10" MIN PIPE DIAMETER
 36" MAX PIPE DIAMETER

8' PIPE LENGTH



CONFORMS TO
 ASME B30.20, BTH-1
 DESIGN CATEGORY B
 SERVICE CLASS 3



DRAWN BY:		KENCO CORP. 170 STATE ROUTE 271 LIGONIER PA 15658	(800)653-6069 WWW.KENCO.COM	WEIGHT	DESCRIPTION PH3500SB PIPE HOOK SELF BALANCING 3500 POUND CAPACITY GENERAL DIMENSIONS	PART NO.
N/A		THE INFORMATION PROVIDED WITHIN THIS DRAWING IS THE PROPERTY OF KENCO CORP. ANY REPRODUCTION, TRANSMITTAL, OR USAGE OF ANY KIND IS PROHIBITED WITHOUT WRITTEN PERMISSION.		450 lbs		N/A
DATE:			CAPACITY	3500 lbs		REVISION
N/A						