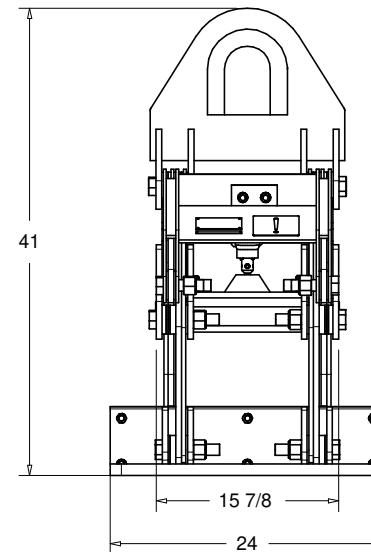
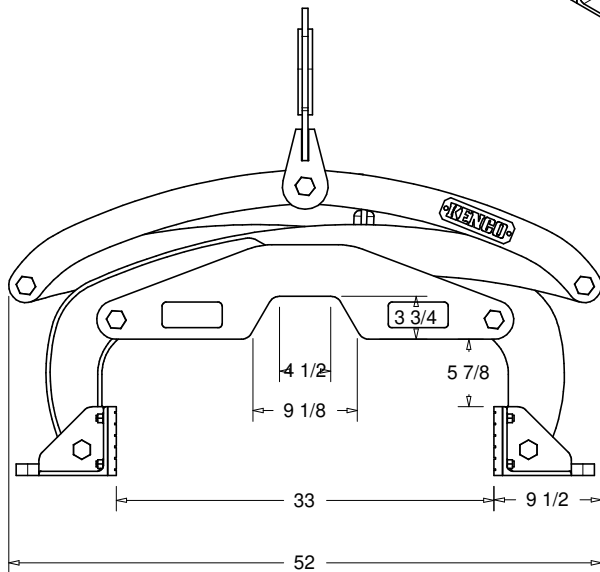


- Model: BLK6K24T30
- Capacity: 6,000 Lbs.
- Range: 24" to 30" Wide Concrete Blocks with 3" High Keyed Area
- Unit Weight: Approx. 650 Lbs.
- Features: Automatic Actuator  
6"x24" Urethane Pads
- Designed and Manufactured in Accordance to AMSE B30.20 and BTH-1 Latest Revisions.



DRAWN BY:  
T. FREIDHOFF  
DATE:  
9/13/12



KENCO CORP.  
170 STATE ROUTE 271  
LIGONIER PA 15658  
(800)653-6069  
WWW.KENCO.COM

THE INFORMATION PROVIDED WITHIN THIS DRAWING IS THE PROPERTY OF KENCO CORP. ANY REPRODUCTION, TRANSMITTAL, OR USAGE OF ANY KIND IS PROHIBITED WITHOUT WRITTEN PERMISSION.

DIMS. = IN.  
TOLERANCES:  
FRACT.: ±1/16"  
ANG.: MACH ±1°  
BEND ±1°  
DEC.: X.XX ±.03  
X.XXX ±.01

DESCRIPTION  
BL6K24T30  
BLOCK LIFTER  
SPEC. SHEET

REVISION	
1	NG6K24T30ECO Spec Sheet Updated 9/14/23 AWF
DWG.	
1	