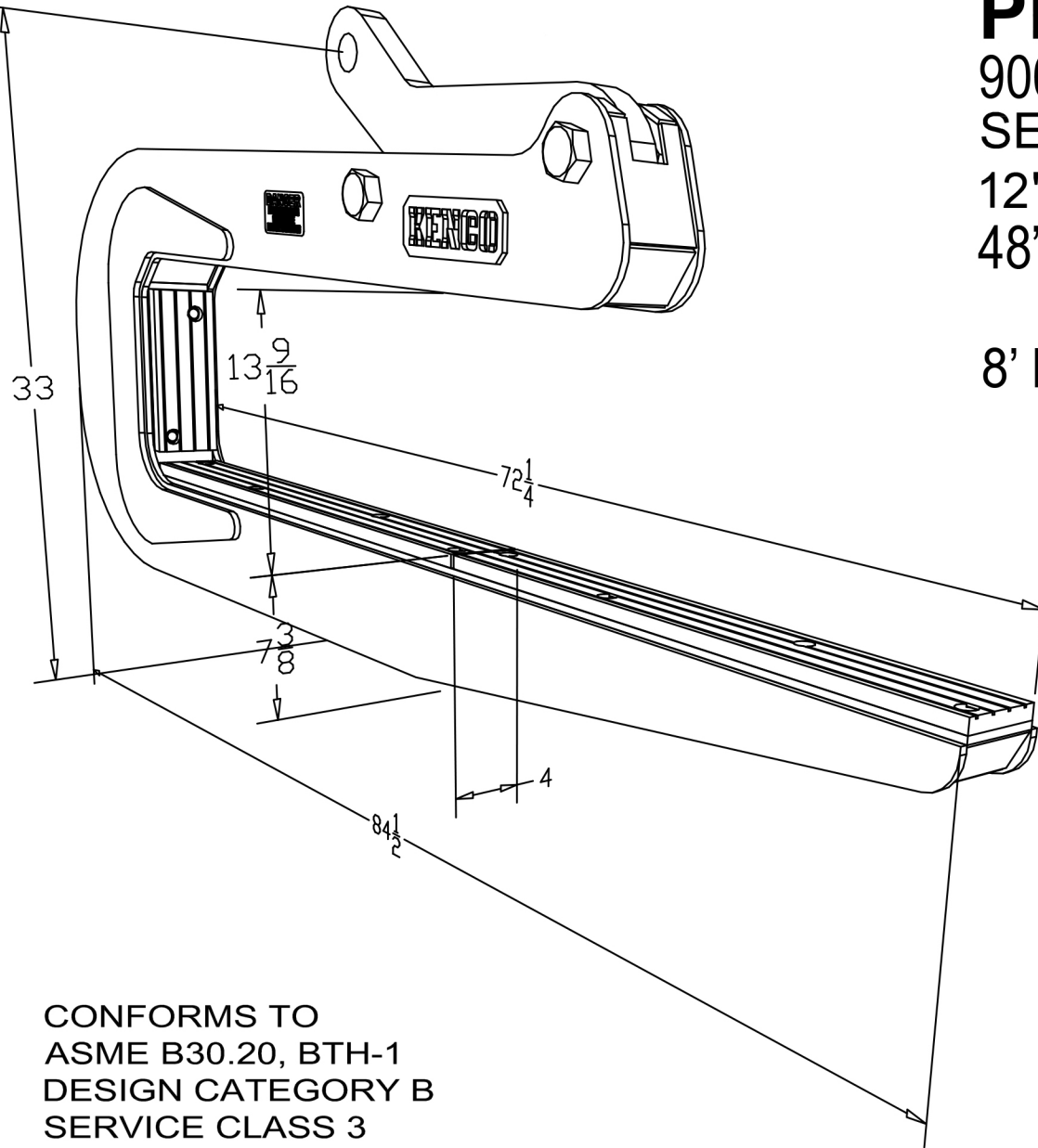


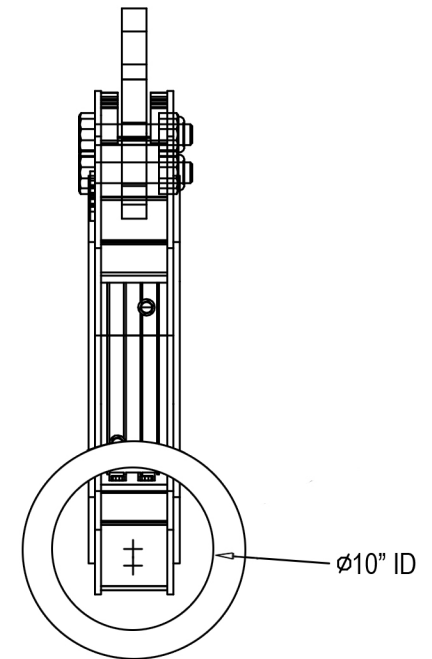
PH9000SB


9000 POUND CAPACITY
 SELF BALANCING PIPE HOOK
 12" MIN PIPE DIAMETER
 48" MAX PIPE DIAMETER

8' PIPE LENGTH



CONFORMS TO
 ASME B30.20, BTH-1
 DESIGN CATEGORY B
 SERVICE CLASS 3



| | | | | | | | |
|-----------|---|---|---|----------|-------------|---|----------|
| DRAWN BY: |  | KENCO CORP. 170 STATE ROUTE 271 LIGONIER PA 15658 | (800)653-6069 WWW.KENCO.COM | WEIGHT | DESCRIPTION | PART NO. | |
| N/A | | THE INFORMATION PROVIDED WITHIN THIS DRAWING IS THE PROPERTY OF KENCO CORP. ANY REPRODUCTION, TRANSMITTAL, OR USAGE OF ANY KIND IS PROHIBITED WITHOUT WRITTEN PERMISSION. | | 550 lbs | | PH9000SB PIPE HOOK SELF BALANCING 9000 POUND CAPACITY GENERAL DIMENSIONS | N/A |
| DATE: | | | | CAPACITY | | | REVISION |
| N/A | | | | 9000 lbs | | | |