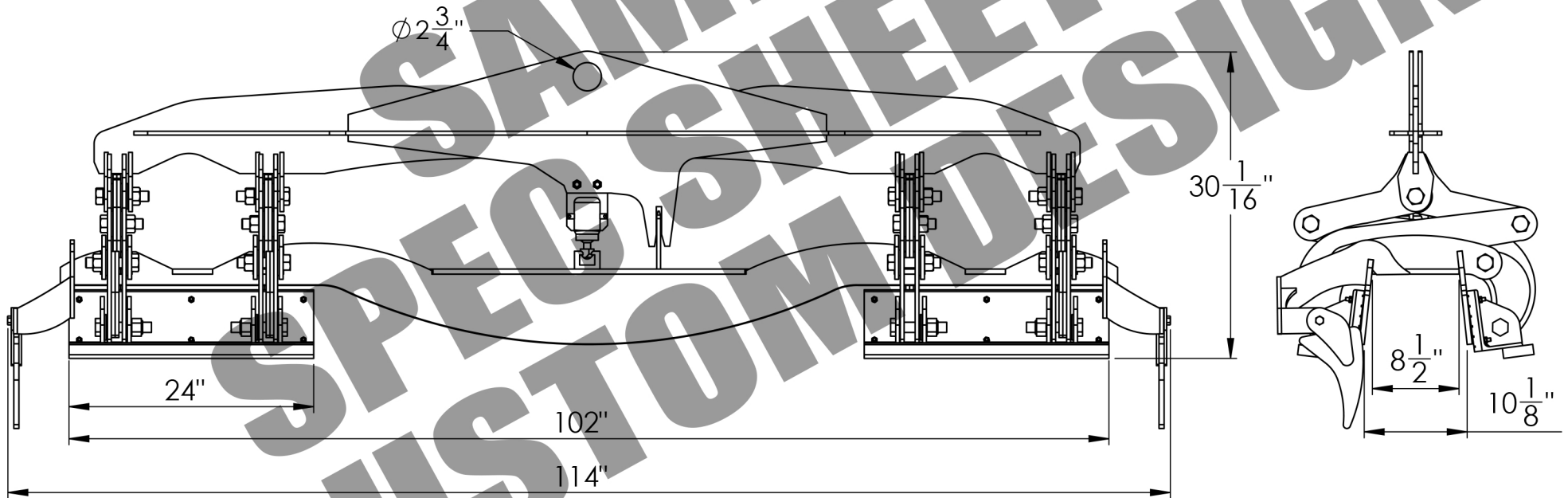
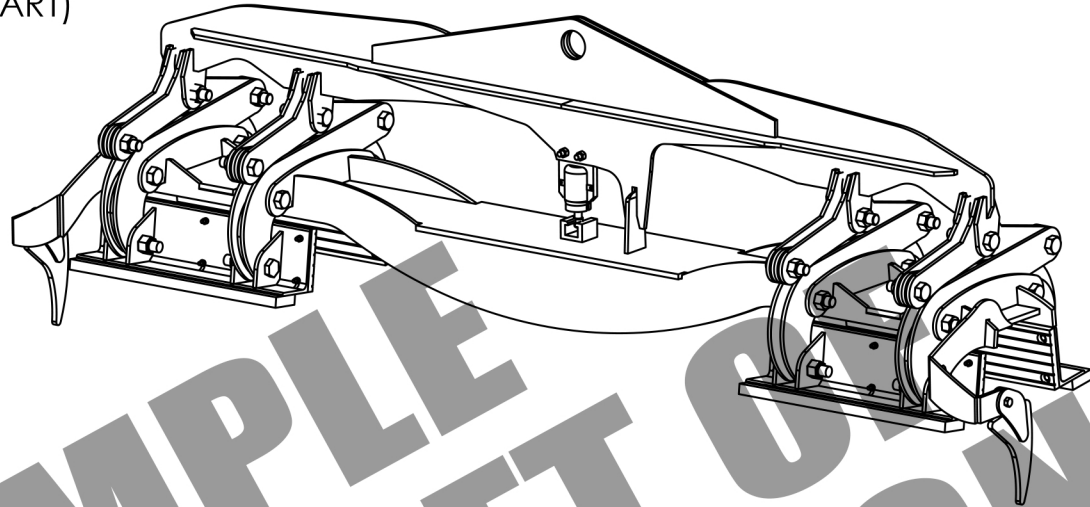


WEIGHT: ~1200LB
 CAPACITY: LIFTING TWO WALLS: (SEE CHART)
 LIFTING ONE WALL: 20000 LB

CONFORMS TO ASME B 30.20,
 BTH-1 DESIGN CATEGORY B,
 SERVICE CLASS 3



Attachment
Solutions

KENCO CORP.
 170 STATE ROUTE 271
 LIGONIER PA 15658

(800)653-6069
 WWW.KENCO.COM

THE INFORMATION PROVIDED WITHIN THIS
 DRAWING IS THE PROPERTY OF KENCO CORP. ANY
 REPRODUCTION, TRANSMITTAL, OR USAGE OF ANY
 KIND IS PROHIBITED WITHOUT WRITTEN PERMISSION.

DIMS. = IN.

TOLERANCES:
 FRACT.: ±1/16
 ANG.: MACH±1°
 BEND ±1°
 DEC.: X.XX ±.03
 X.XXX ±.01

DESCRIPTION

KLDK20K6T8

REVISION

1	xxxxxx
DWG.	
1	

DRAWN BY:
 J. Mastruserio
 DATE:
 8/2/2017