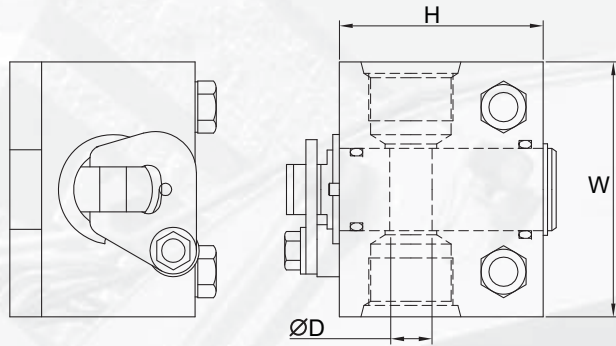
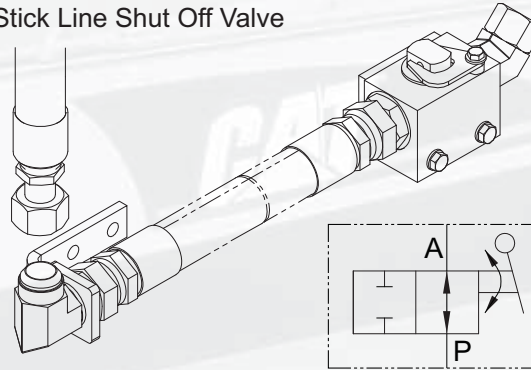


SHUT-OFF VALVE ROTARY MANUAL 2W/2P

- Heavy Duty Design
- Metal-on-metal Rotary Spool
- Bolt-on Sub plate for Clean welding
- Anti-corrosion Coating



TYPICAL INSTALLATION DIAGRAM
: Stick Line Shut Off Valve



| Part NO. | SAE Size | Port Size | W | | M | | D | | Pressure, MAX | | Flow Rating | | Bypass Leakage * | |
|----------|----------|------------------|-----|------|----|------|----|------|---------------|-------|-------------|-----|------------------|---------|
| | | | mm | inch | mm | inch | mm | inch | bar | psi | lpm | gpm | cc/min | cui/min |
| 120-5801 | -8 | 3/4-16 UNF-2B | 70 | 2.8 | 50 | 1.9 | 10 | 0.39 | 380 | 5,500 | 100 | 26 | 5 | 0.3 |
| 120-5803 | -12 | 1 1/16-12 UNF-2B | 96 | 3.5 | 60 | 2.4 | 16 | 0.63 | | | 160 | 42 | 6.5 | 0.4 |
| 120-5805 | -16 | 1 5/16-12 UNF-2B | 106 | 3.8 | 77 | 3.0 | 22 | 0.87 | | | 270 | 70 | 8 | 0.5 |
| 120-5807 | -20 | 1 5/8-12 UNF-2B | 120 | 4.2 | 80 | 3.1 | 27 | 1.06 | | | 365 | 95 | 10 | 0.6 |

* Tested @ 100bar [1,450psi] with fluid viscosity of 38 cSt



604-888-9020
sales@vanedequipment.com