

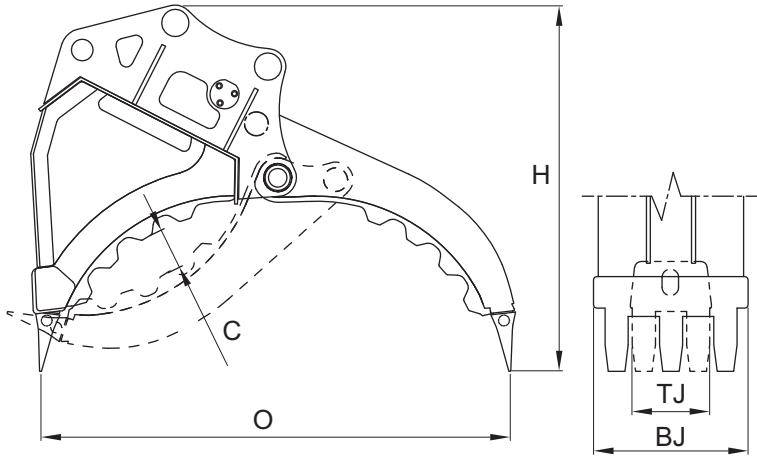
# THUMB BUCKET STB

FOR 1-10 TON CARRIER

- Bucket and thumb combination design eliminating thumb cylinder installation process.
- All the jaws are made of high strength steel.
- Weld-on liner tooth made of abrasion resistant steel for longer life.
- Bucket style replaceable tip tooth, CAT compatible.
- Oversized swing bearing and hydraulic rotation motor equipage with crossover relief valve.



604-888-9020  
sales@vanedequipment.com



| Model                      |                   |      | STB05 | STB08 |
|----------------------------|-------------------|------|-------|-------|
| Recommended Carrier Weight | MT                |      | 4~7   | 6~11  |
|                            | lbs (x1000)       |      | 9~15  | 13~24 |
| Weight                     | kgs               |      | 260   | 290   |
|                            | lbs               |      | 572   | 638   |
| Overall Height [H]         | mm                |      | 1,010 | 1,070 |
|                            | inch              |      | 40    | 42    |
| Bucket Capacity            | m <sup>3</sup>    |      | 0.13  | 0.15  |
|                            | yd <sup>3</sup>   |      | 0.17  | 0.2   |
| Jaw Dimension              | Opening [O]       | mm   | 1,297 | 1,413 |
|                            |                   | inch | 51    | 56    |
|                            | Closing [C]       | mm   | 120   | 125   |
|                            |                   | inch | 5     | 5     |
|                            | Bucket Width [BJ] | mm   | 460   | 467   |
|                            |                   | inch | 18    | 18    |
| Thumb Width [TJ]           | mm                | 235  | 235   |       |
|                            | inch              | 9    | 9     |       |
| Rated Pressure             | bar               |      | 210   | 210   |
|                            | psi               |      | 3,050 | 3,050 |
| Rated Oil Flow             | lpm               |      | 60    | 60    |
|                            | gpm               |      | 16    | 16    |

Specifications are subject to change without notice.