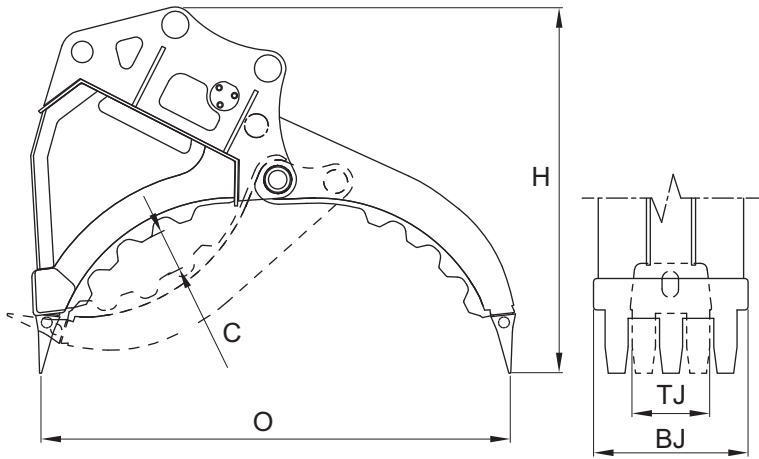


MIDSIZE THUMB BUCKET STB

FOR 10-20 TON CARRIER

- Bucket and thumb combination design eliminating thumb cylinder installation process.
- All the jaws are made of high strength steel.
- Weld-on liner tooth made of abrasion resistant steel for longer life.
- Bucket style replaceable tip tooth, CAT compatible.
- Oversized swing bearing and hydraulic rotation motor equipage with crossover relief valve.



604-888-9020
sales@vanedequipment.com



Model			STB08	STB12	STB20
Recommended Carrier Weight	MT		6~11	11~15	19~24
	lbs (x1000)		13~24	24~33	42~53
Weight	kgs		290	690	1,190
	lbs		638	1,518	2,618
Overall Height [H]	mm		1,070	1,330	1,680
	inch		42	52	66
Bucket Capacity	m ³		0.15	0.32	0.6
	yd ³		0.2	0.42	0.78
Jaw Dimension	Opening [O]	mm	1,413	1,603	1,850
		inch	56	63	73
	Closing [C]	mm	125	250	175
		inch	5	10	7
	Bucket Width [BJ]	mm	467	630	780
		inch	18	25	31
Thumb Width [TJ]	mm	235	310	390	
	inch	9	12	15	
Rated Pressure	bar		210	230	230
	psi		3,050	3,340	3,340
Rated Oil Flow	lpm		60	110	180
	gpm		16	29	47

Specifications are subject to change without notice.