

# LARGE RECYCLING MULTI PROCESSORS VUS-A



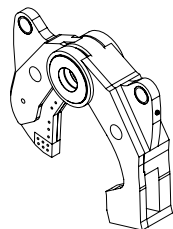
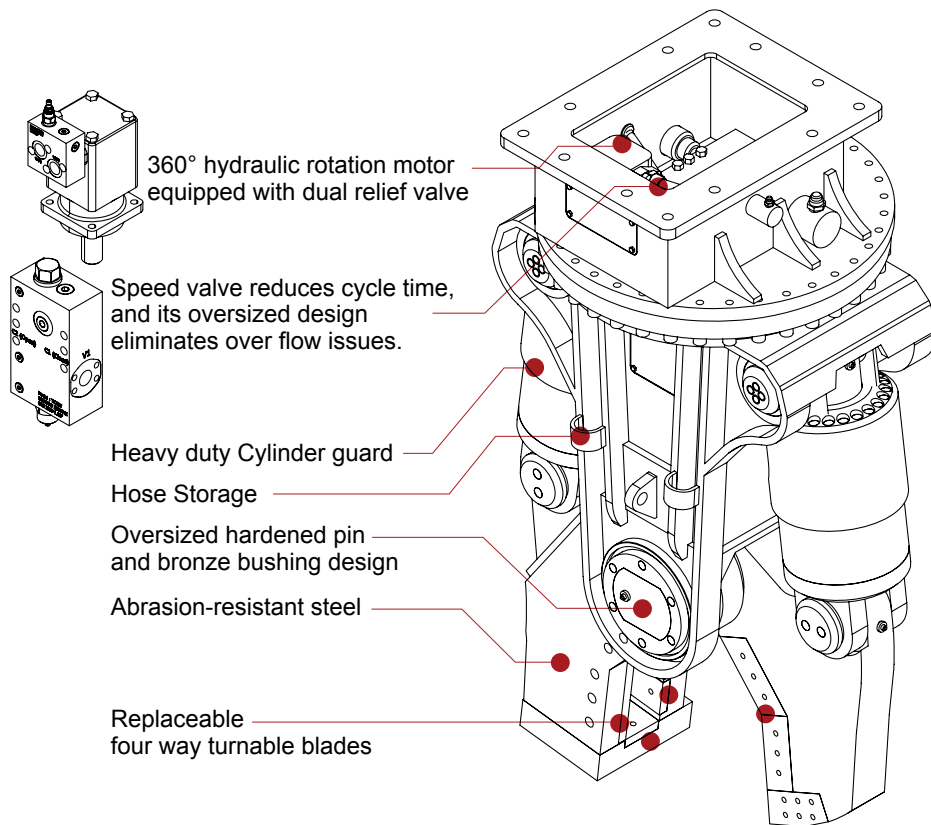
With shear jaw set, this third member primary shear is powerful tool for steel structure demolition and steel recycling facilities. Unlike bulky second member shear, VUS shear provides high maneuverability and production for scrap yard. Interchangeable jaws are optional for those who need versatile tools; Cutter jaw is specially effective cutting tank and wide plate.

Single Pin dual cylinder design provides

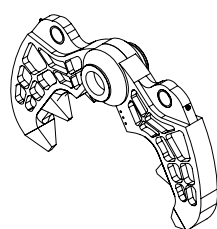
- Optimized shearing/ cutting angle and continuous force through the cycle.
- Zero slip between two jaws.
- Asymmetric design and independent cylinders movement minimize the stress to the carrier.



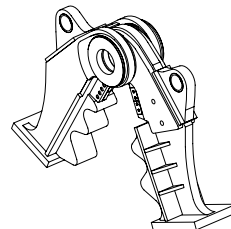
604.888.9020  
sales@vanedequipment.com



Shear Jaw [S Jaw]



Crusher Jaw [CW Jaw]



Pulverizer Jaw [PW Jaw]

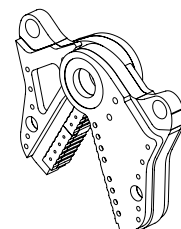
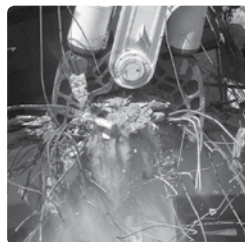
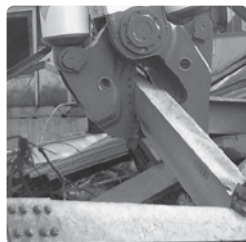


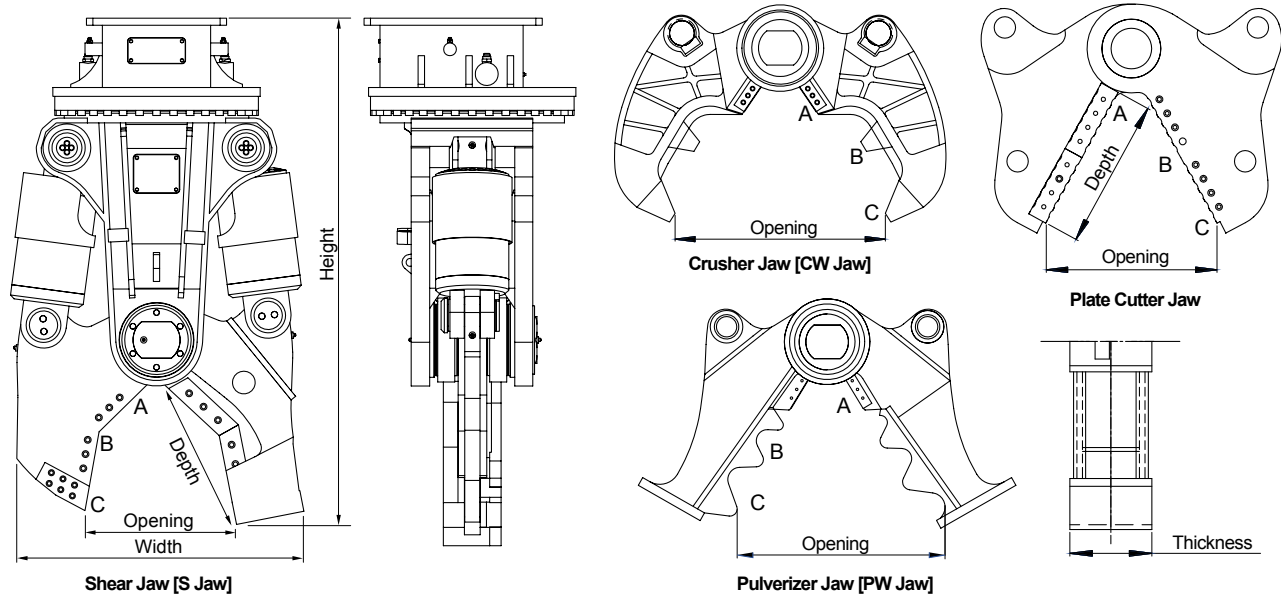
Plate Cutter Jaw



FOR 20-60 TON CARRIER

# LARGE RECYCLING MULTI PROCESSORS VUS-A

FOR 20-60 TON CARRIER



Model		Unit	VUS202A	VUS302A	Unit	VUS202A	VUS302A
Carrier Weight		M/T	20~30	28~45	M/T	20~30	28~45
Weight with S Jaw		kg	2,590	3,240	lb	5,720	7,150
Weight with CW Jaw			2,200	3,100		4,840	6,820
Weight with P Jaw			2,200	3,240		4,840	7,140
Weight with Cutter Jaw			2,500	3,310		5,510	7,230
Shear Dimesions [S Jaw]	Opening	mm	480	580	inch	19	23
	Depth		460	685		18	27
Crusher Dimesions [CW Jaw]	Opening	mm	950	1,050	inch	37	41
	Blade Length		220	250		9	10
Pulverizer Dimesions [PW Jaw]	Opening	mm	850	950	inch	33	37
	Thickness		270	290		11	11
	Blade Length		220	250		9	10
Cutter Dimesions	Opening	mm	710	760	inch	28	30
	Eff. Length		625	690		25	27
Cutting/ Crushing Force	[A] Throat	M/T (Metric Ton)	598	916	lb (X1000)	1,320	2,020
	[B] Middle		304	430		670	950
Cutting/ Crushing Force [C] Tip			177	245		390	540
Rated Pressure		bar	320		psi	4,600	
Rated Oil Flow		lpm	230	280	gpm	61	74
DIM with Crusher jaw	Height	mm	2,070	2,390	inch	81	94
	Width		1,150	1,350		45	53
Hyd. Rotation	Pressure	bar	210		psi	3,000	
	Oil Flow	lpm	32~45		gpm	8~12	
	Speed	RPM	10~15		RPM	10~15	
Cycle time	Open	sec	2.5	4.0	sec	2.8	4.0
	Close		2.3	4.2		2.6	4.2

Specifications subject to change without notice.

- Height Dim. : Flat top mounting. Measured jaw fully closed.
- Width Dim. : Measured jaw wide open.

- Cutting Force [A] : At rebar blade center
- Cycle time : Measured at rated flow under no load.