

Tiltrotator EC226

For 41,900-57,300 lbs excavators (19-26 metric ton)

A powerful tiltrotator with low weight and height for excavators up to 26 metric tons. If EC226 is selected with engcon's standard Quick Coupler S70 and the DC2 proportional control system, EC-Oil automatic Quick Coupler system is offered as a free standard.** This means that the tiltrotator and hydraulic tools can be connected & disconnected without the operator needing to leave the cab.

Supplied complete with hoses, quick couplings and electrical equipment for one machine.

Features:

- » The EC-Oil automatic Quick Coupler system connects the tiltrotator & hydraulic tools without the operator needing to leave the cab**
- » Q-Safe quick coupler for maximum safety
- » Comes ready for the QSC locking system to avoid improperly connected or dropped buckets
- » Comes ready for a rotation sensor (ePS) for connection to the excavator guidance system
- » Central lubrication (a single grease point for the entire tiltrotator; can also be connected to the excavator's central lubrication system)
- » Load-holding valves on tilt cylinders for maximum safety
- » Hardened piston rods
- » Up to ± 45 -degree tilt angle for best access
- » Rotation ∞

Quick coupler: S70 comes standard. For other needs, we can supply most types of couplers available on the market.

Control system: DC2 comes standard. This proportional control system provides outstanding variable control with remote support capability, track/wheel steering, and boom slew. We also offer custom control systems.

Electrical system: Can be adapted to 12V or 24V.

Accessory: Integrated grabber, GRD detachable grab cassette*

* Read more about GRD at engcon.com

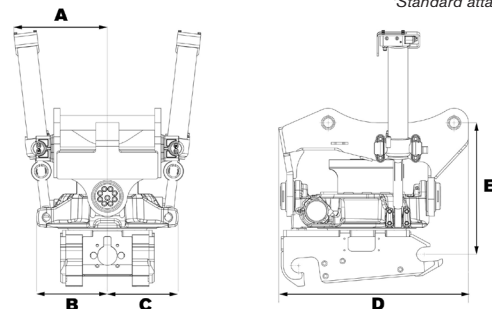
** Read more about the terms and conditions regarding EC-Oil automatic Quick Coupler system as a free standard at www.engcon.com



Specifications

Model	EC226
Width A (inches)*:	16.8
Width B (inches)*:	13.4
Width C (inches)*:	13.4
Total length D (inches)*:	29.9
Construction height E (inches)*:	from 19.7
Weight (lbs)*:	1,390.4
Tilt range:	2x45°
Rec. hydraulic flow DC2 & SS10 (gpm):	31.7
Rec. hydraulic flow SS9 tilt/rotation (gpm):	18.5/18.5
Max hydraulic pressure (psi):	3,191
Standard mountings:	S70
Max bucket width rec. by engcon (inches):	78.7
Max torque (lbf):	199,142
Base machine weight min/max (lbs):	41,900–57,300

*Standard attachment



CHANGE THE WORLD OF DIGGING