

Tiltrotator EC204

For 4,400 - 8,800 lbs excavators (2-4 metric ton)

EC204 is optimized for 2–4 ton excavators and can be fitted with an integrated grab or extra hydraulic functionality.

The EC204 has a tilt angle of 45 degrees and can be fitted with engcon's proportional control system, DC2, for stepless control with the highest precision and remote support via the mobile network.

The tiltrotator: Are supplied with hose, quick couplings and electrical installation for one machine. Top attachment points can be adapted to most machines.

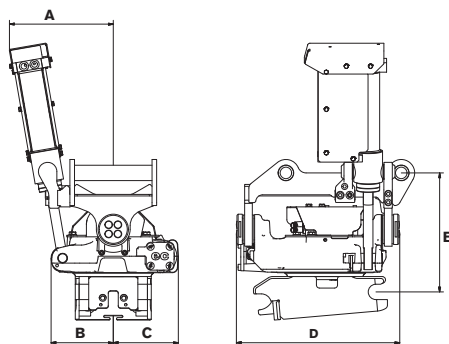
- » Rotation ∞
- » $\pm 45^\circ$ tilt
- » Complies with European safety standards
- » Extra outlet as standard equipment, or double extra outlets (does not apply to models with grabbers)

Quick coupler: We offer most types of couplers available on the market.

Control system: Choose between several different control systems based on your machine's specs. The EC204 can easily be fitted with engcon's DC2 proportional control system.

Electrical system: Standard 12V.

Accessory: Integrated grabber.



Specifications

| Model | EC204 |
|--|-------------|
| Width A (inches)*: | 10.5 |
| Width B (inches)*: | 6.3 |
| Width C (inches)*: | 6.7 |
| Total length D (inches)*: | 18.2 |
| Construction height E (inches)*: | from 12.2 |
| Weight (lbs)*: | 255.2 |
| Tilt range: | 2x45° |
| Rec. hydraulic flow DC2 & SS10 (gpm): | 7.9 |
| Rec. hydraulic flow SS9 tilt/rotation (gpm): | 2.6/6.6 |
| Max hydraulic pressure (psi): | 3,191 |
| Standard mountings: | S40 |
| Max bucket width rec. by engcon (inches): | 39.4 |
| Max torque (lbf): | 20,652 |
| Base machine weight min/max (lbs): | 4,400–8,800 |

*Standard attachment

CHANGE THE WORLD OF DIGGING