

Tiltrotator EC02

For 3,300 – 5,500 lbs excavators (1.5-2.5 metric ton)

One of the market's smallest tiltrotators, this is designed for machines weighing up to 2.5 metric tons. With a base weight of 65 kg, the EC02 has minimal impact on stability while delivering access and flexibility that only a tiltrotator can provide.

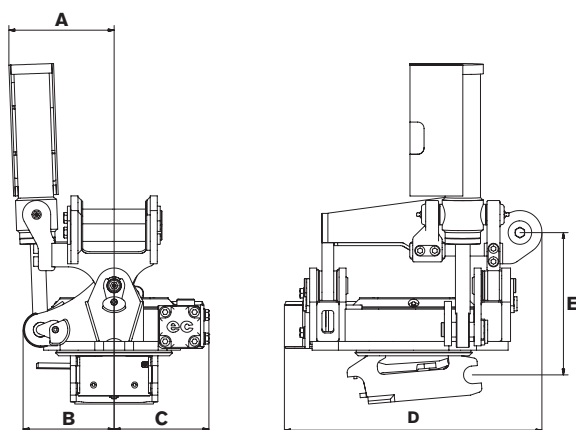
Features:

- » Rotation ∞
- » $\pm 40^\circ$ tilt
- » Complies with European safety standards
- » A load-holding valve as standard equipment provides maximum safety

Quick coupler: We offer most types of couplers available on the market.

Control system: Choose between several different controls systems based on your machine's features. The EC02 can easily be fitted with engcon's DC2 proportional control system for outstanding variable high-precision control and remote support via exclusive smartphone app.

Electrical system: Standard 12V.



Specifications

Model	EC02
Width A (inches)*:	7.1
Width B (inches)*:	6.1
Width C (inches)*:	6.3
Total length D (inches)*:	17.1
Construction height E (inches)*:	from 9.6
Weight (lbs)*:	169.4
Tilt range:	2x40°
Rec. hydraulic flow DC2 & SS10 (gpm):	6.6
Rec. hydraulic flow SS9 tilt/rotation (gpm):	1.8/5.3
Max hydraulic pressure (psi):	3,191
Standard mountings:	S30
Max bucket width rec. by engcon (inches):	35.4
Max torque (lbf):	14,751
Base machine weight min/max (lbs):	3,300–5,500

*Standard attachment

CHANGE THE WORLD OF DIGGING