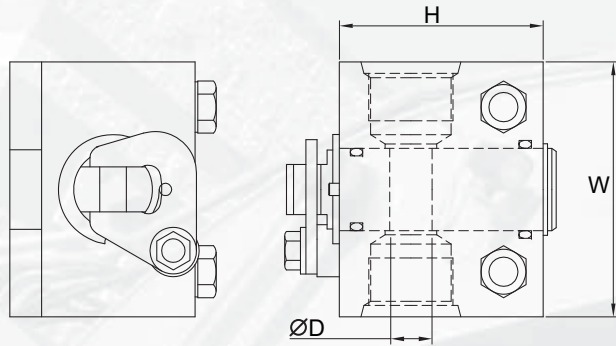
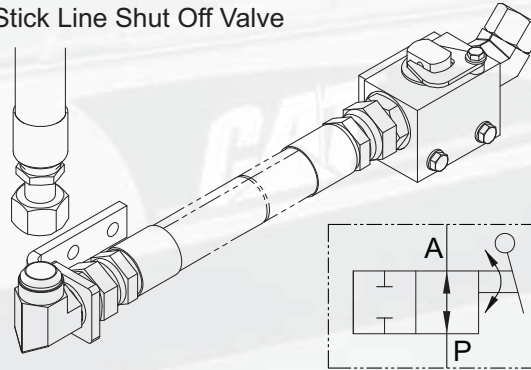


# SHUT-OFF VALVE ROTARY MANUAL 2W/2P

- Heavy Duty Design
- Metal-on-metal Rotary Spool
- Bolt-on Sub plate for Clean welding
- Anti-corrosion Coating



**TYPICAL INSTALLATION DIAGRAM**  
: Stick Line Shut Off Valve



Part NO.	SAE Size	Port Size	W		M		D		Pressure, MAX		Flow Rating		Bypass Leakage *	
			mm	inch	mm	inch	mm	inch	bar	psi	lpm	gpm	cc/min	cui/min
120-5801	-8	3/4-16 UNF-2B	70	2.8	50	1.9	10	0.39	380	5,500	100	26	5	0.3
120-5803	-12	1 1/16-12 UNF-2B	96	3.5	60	2.4	16	0.63			160	42	6.5	0.4
120-5805	-16	1 5/16-12 UNF-2B	106	3.8	77	3.0	22	0.87			270	70	8	0.5
120-5807	-20	1 5/8-12 UNF-2B	120	4.2	80	3.1	27	1.06			365	95	10	0.6

\* Tested @ 100bar [1,450psi] with fluid viscosity of 38 cSt



604-888-9020  
sales@vanedequipment.com