

# MOUNTING BRACKET

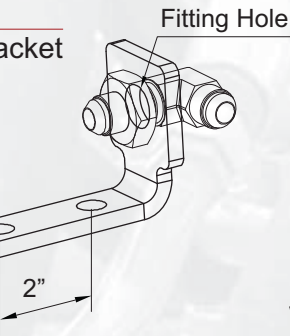
- Easy installation of clamps and tubes.
- Anti-corrosion coated.



604-888-9020  
sales@vanedequipment.com

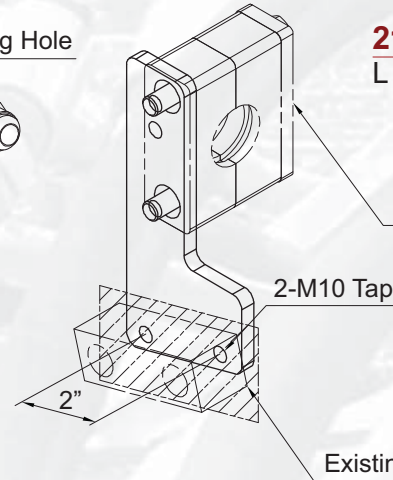
**21-3485**  
Angle Bulkhead Bracket

Welding Hole (X2)



**21-3459**  
L Clamp Bracket

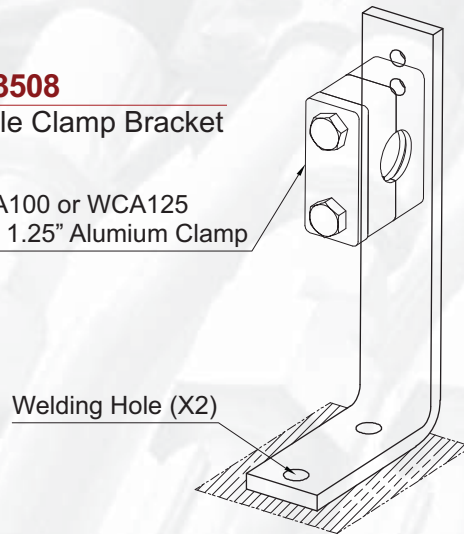
WCA100 or WCA125  
: 1 ~ 1.25" Alumium Clamp



Existing Block or VE Spacer Block (22-5292)

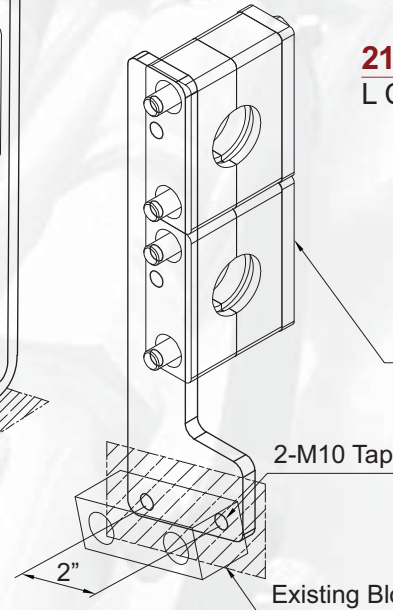
**21-3508**  
Angle Clamp Bracket

WCA100 or WCA125  
: 1 ~ 1.25" Alumium Clamp



**21-3511**  
L Clamp Bracket, Double

WCA100 or WCA125  
: 1 ~ 1.25" Alumium Clamp



Existing Block or VE Spacer Block (22-5292)