

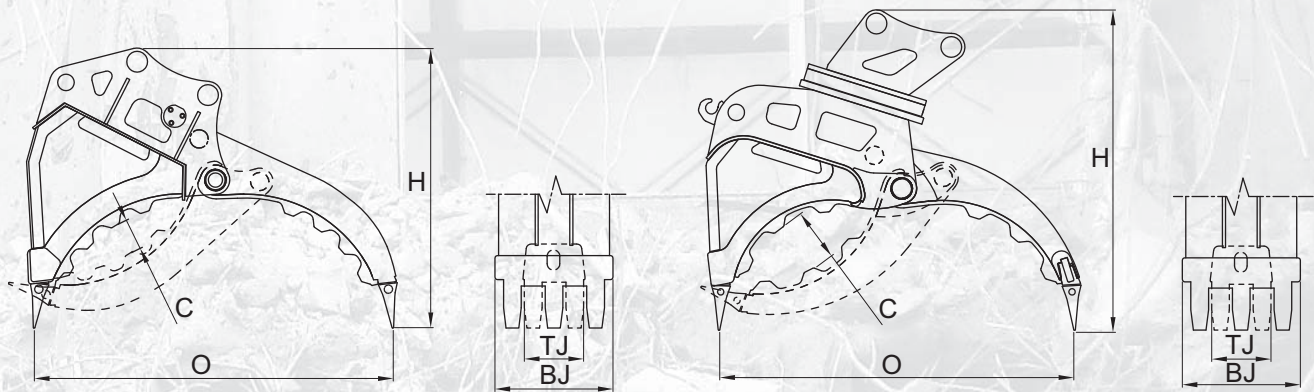
# THUMB BUCKET STB

- Bucket and thumb combination design eliminating thumb cylinder installation process.
- All the jaws are made of high strength steel.
- Weld-on liner tooth made of abrasion resistant steel for longer life.
- Bucket style replaceable tip tooth, CAT compatible.



**VAN-ED**  
EQUIPMENT  
ATTACHMENTS & MORE

604.888.9020  
sales@vanedequipment.com



Model			STB05	STB08	STB12
Recommended Carrier Weight	MT		4~7	6~11	11~15
	lbs (x1000)		9~15	13~24	24~33
Weight	kgs		260	290	690
	lbs		572	638	1,518
Overall Height [H]	mm		1,010	1,070	1,330
	inch		40	42	52
Bucket Capacity	m <sup>3</sup>		0.13	0.15	0.32
	yd <sup>3</sup>		0.17	0.2	0.42
Jaw Dimension	Opening [O]	mm	1,297	1,413	1,603
		inch	51	56	63
	Closing [C]	mm	120	125	250
		inch	5	5	10
	Bucket Width [BJ]	mm	460	467	630
		inch	18	18	25
Thumb Width [TJ]	mm	235	235	310	
	inch	9	9	12	
Rated Pressure	bar		210	210	230
	psi		3,050	3,050	3,340
Rated Oil Flow	lpm		60	60	110
	gpm		16	16	29

Specifications are subject to change without notice.