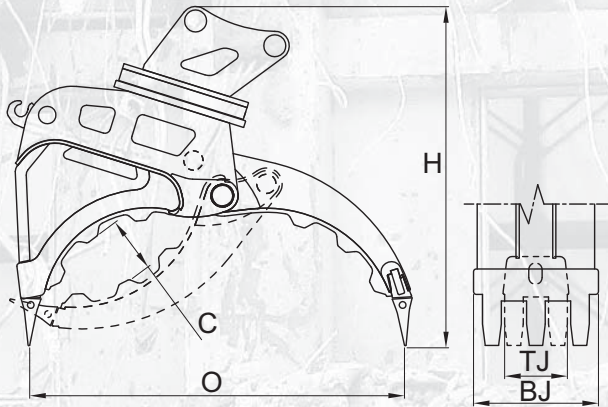


# ROTATING THUMB BUCKET STB-R

- Bucket and thumb combination design eliminating thumb cylinder installation process.
- All the jaws are made of high strength steel.
- Weld-on liner tooth made of abrasion resistant steel for longer life.
- Bucket style replaceable tip tooth, CAT compatible.
- Oversized swing bearing and hydraulic rotation motor equipage with crossover relief valve.

**VAN-ED**  
**EQUIPMENT**  
ATTACHMENTS & MORE

604.888.9020  
sales@vanedequipment.com



Model			STB05R	STB08R	STB12R
Recommended Carrier Weight	MT		4~7	7~10	12~16
	lbs (x1000)		9~15	15~22	26~35
Weight	kgs		310	390	850
	lbs		682	858	1,870
Overall Height [H]	mm		1,100	1,215	1,544
	inch		43	48	61
Bucket Capacity	m <sup>3</sup>		0.11	0.15	0.27
	yd <sup>3</sup>		0.14	0.2	0.35
Jaw Dimension	Opening [O]	mm	1,117	1,400	1,795
		inch	44	55	71
	Closing [C]	mm	154	205	183
		inch	6	8	7
	Bucket Width [BJ]	mm	460	520	645
		inch	18	20	25
Thumb Width [TJ]	mm	235	240	325	
	inch	9	9	13	
Rated Pressure	bar		210	←	230
	psi		3,050	←	3,340
Rated Oil Flow	lpm		60	←	110
	gpm		16	←	29
Hydraulic Rotation	Pressure	bar	150	150	160
		psi	2,180	2,180	2,320
	Oil Flow	lpm	36	30	30
		gpm	9	8	8
Speed	RPM	20	14	13	

Specifications are subject to change without notice.