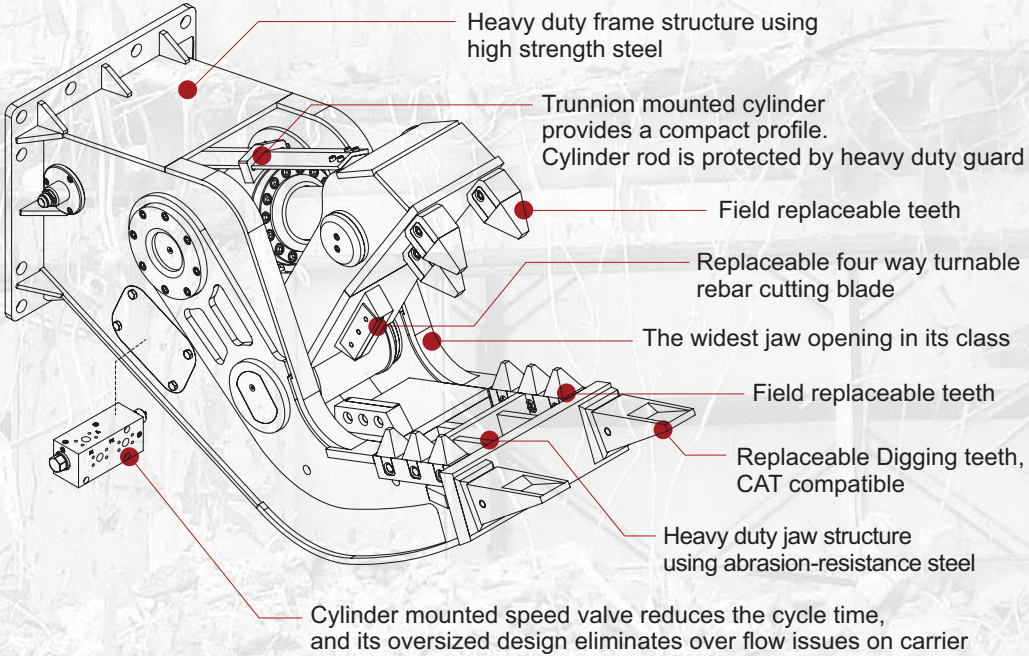


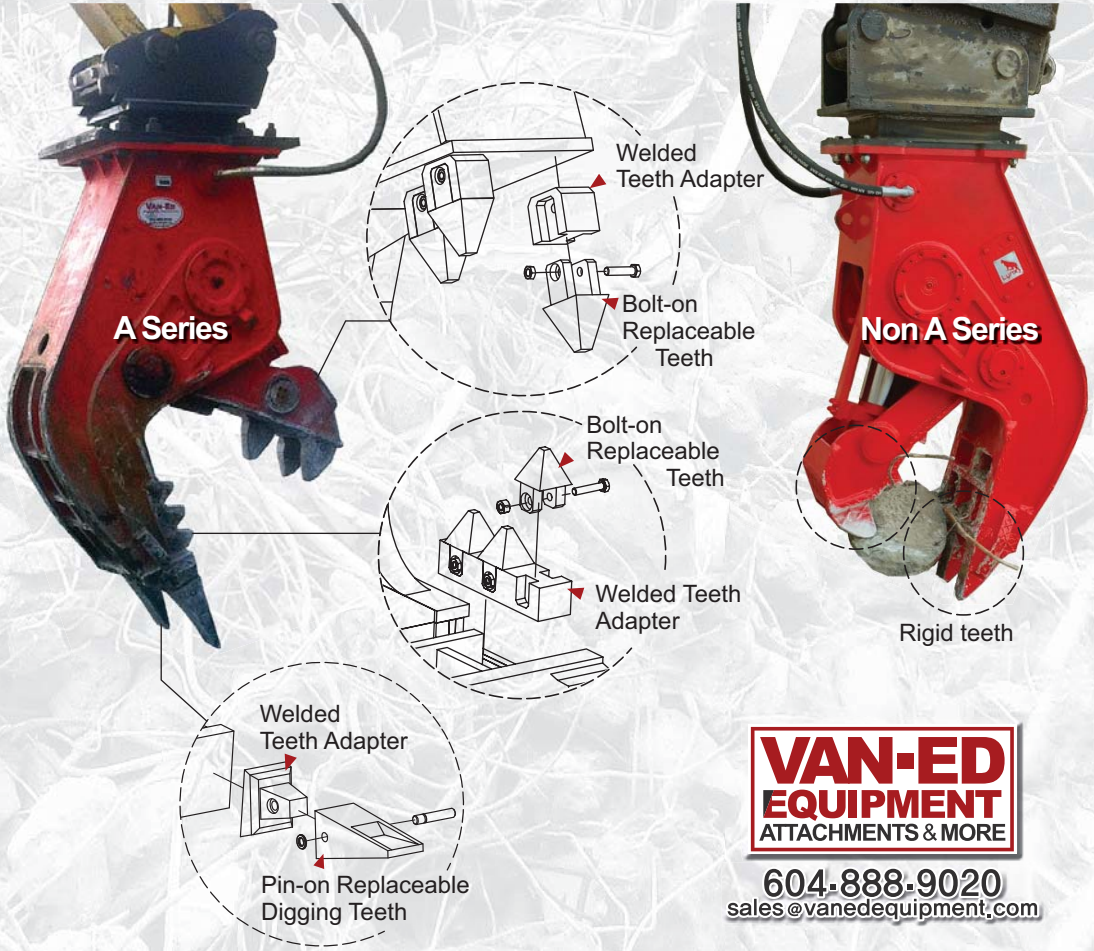
MIDSIZE SECONDARY PULVERIZERS VSP-A

FOR 10-20 TON CARRIER

Designed secondary processing to remove rebar and size concrete.
Replaceable teeth reduce maintenance time and cost.



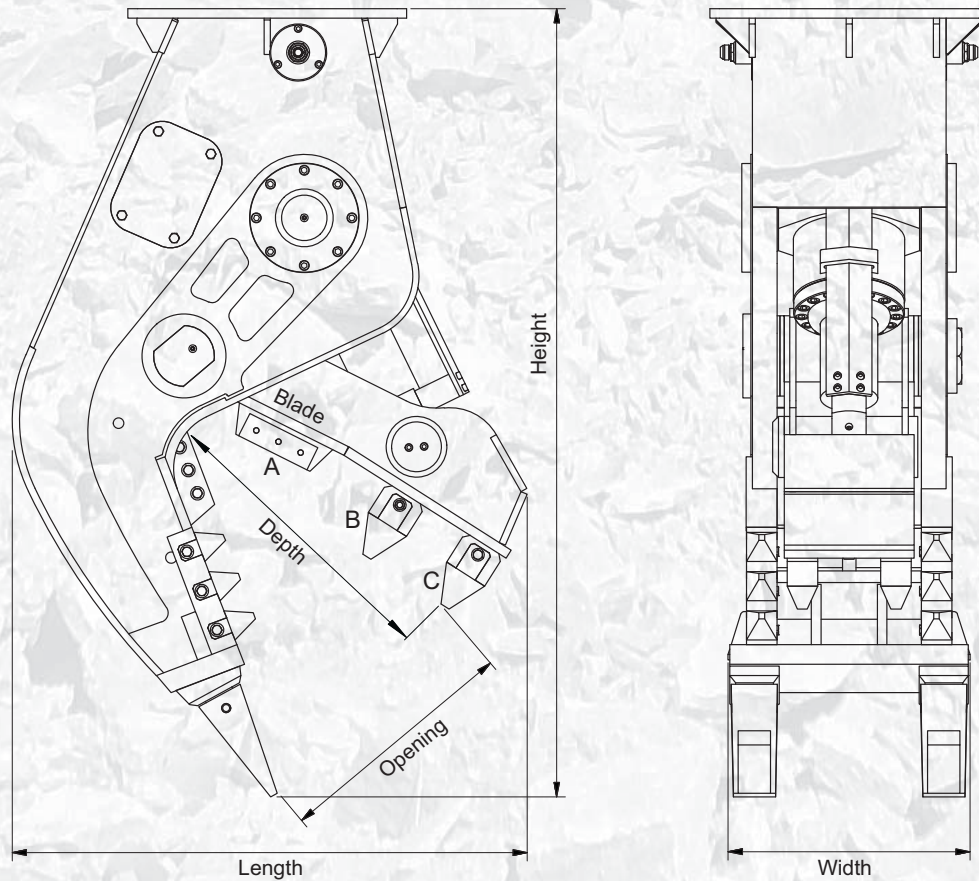
TEETH COMPARISON with NON A series



604-888-9020
sales@vanedequipment.com

MIDSIZE SECONDARY PULVERIZERS VSP-A

FOR 10-20 TON CARRIER



Model		Unit	VSP 152A	VSP 182A	VSP 202A	Unit	VSP 152A	VSP 182A	VSP 202A
Carrier Weight		M/T	10~20	17~25	20~30	M/T	10~20	17~25	20~30
Operating Weight		kg	1,020	1,560	2,040	lb	2,240	3,430	4,490
DIM	Height	mm	1,650	1,830	1,960	inch	65	72	77
	Length		1,230	1,250	1,420		48	49	56
	Width		436	520	540		17	20	21
Jaw Opening		mm	780	840	925	inch	31	33	36
Jaw Depth			820	825	870		32	32	34
Blade Length			140	150	200		5.5	5.9	7.9
Cutting Force [A]		M/T (Metric Ton)	163	191	202	lb (X1000)	359	420	445
Crushing Force	[B] Mid		67	91	95		147	200	209
	[C] Tip		42	60	62		93	132	137
Rated Pressure		bar		320		psi		4,600	
Rated Oil Flow		lpm	160	210	280	gpm	42	55	74
Cycle time	Open	sec	2.1	2.1	2.2	sec	2.1	2.1	2.2
	Close		1.9	1.9	1.9		1.9	1.9	1.9

Specifications subject to change without notice.

- Height : Flat Top Mounting
- Cycle Time : Measured at rated flow under no load.