

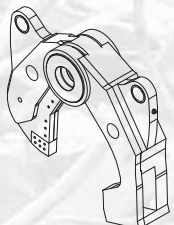
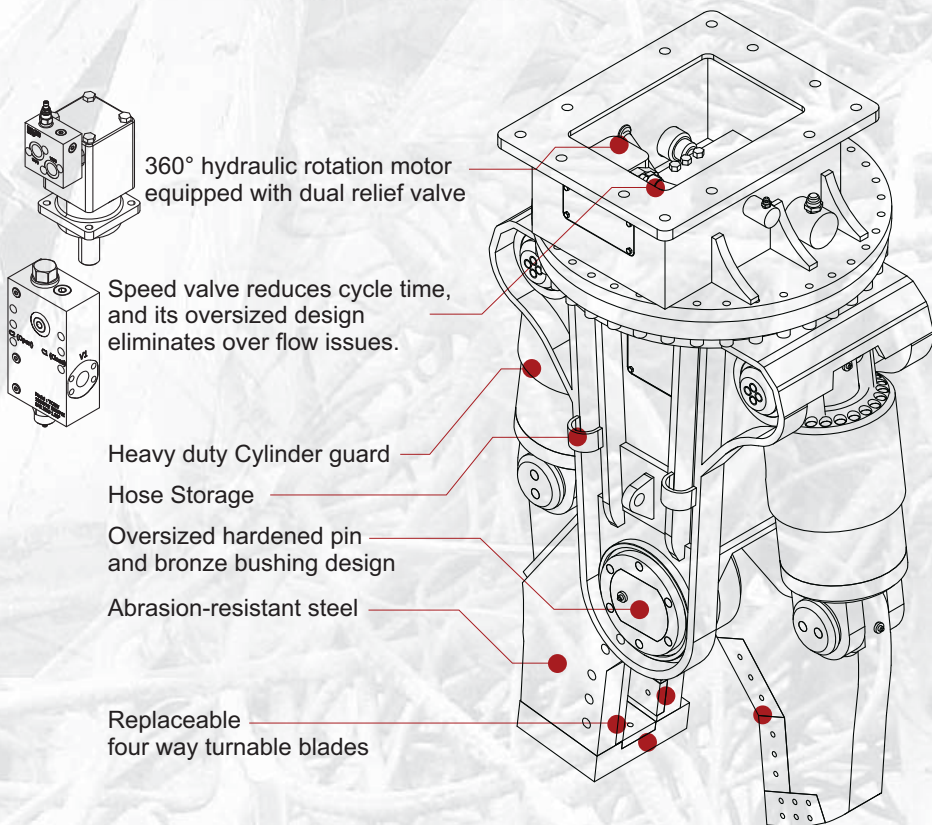
With shear jaw set, this third member primary shear is powerful tool for steel structure demolition and steel recycling facilities. Unlike bulky second member shear, VUS shear provides high maneuverability and production for scrap yard. Interchangeable jaws are optional for those who need versatile tools; Cutter jaw is specially effective cutting tank and wide plate.

Single Pin dual cylinder design provides

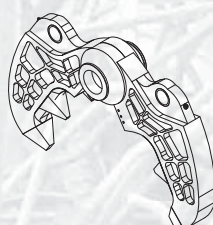
- Optimized shearing/ cutting angle and continuous force through the cycle.
- Zero slip between two jaws.
- Asymmetric design and independent cylinders movement minimize the stress to the carrier.



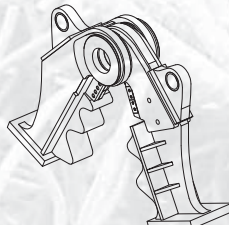
604-888-9020
sales@vanedequipment.com



Shear Jaw [S Jaw]



Crusher Jaw [CW Jaw]



Pulverizer Jaw [PW Jaw]

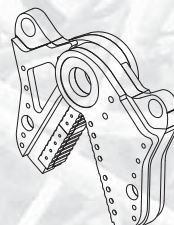
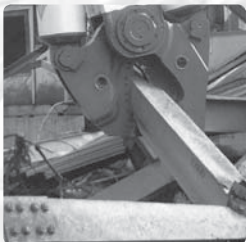
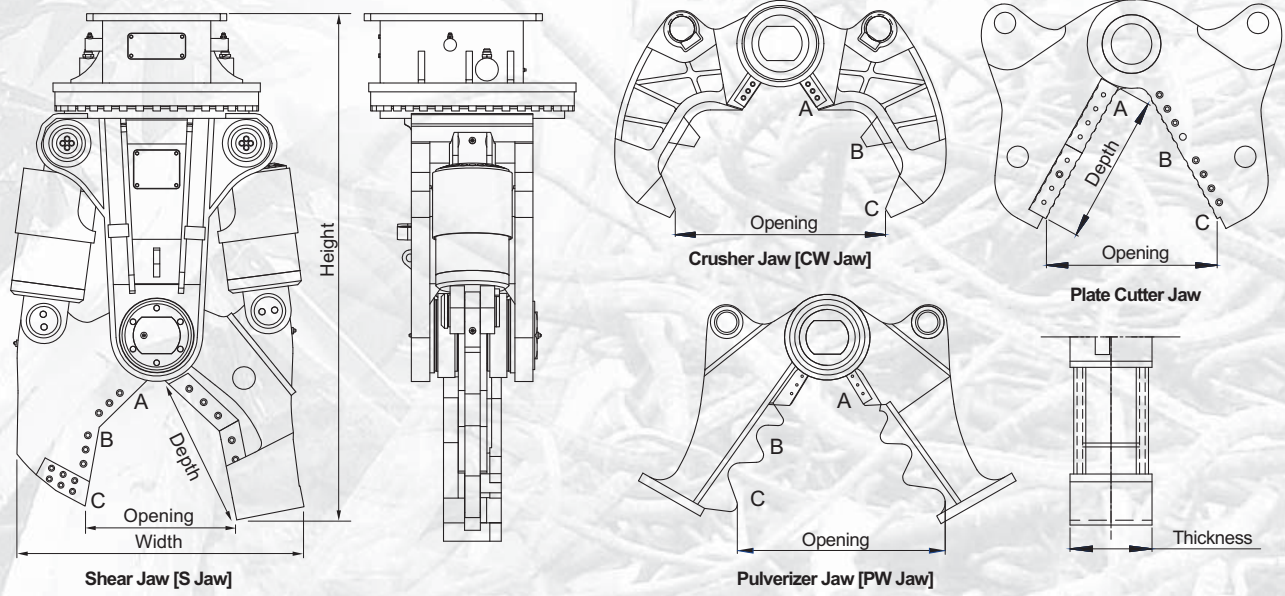


Plate Cutter Jaw



MIDSIZE RECYCLING MULTI PROCESSORS VUS-A

FOR 10-20 TON CARRIER



Model		Unit	VUS202	Unit	VUS202
Carrier Weight		M/T	20~30	M/T	20~30
Weight with S Jaw		kg	2,085	lb	4,600
Weight with CW Jaw			2,200		4,840
Weight with P Jaw			2,200		4,840
Weight with Cutter Jaw			2,500		5,510
Shear Dimensions [S Jaw]	Opening	mm	490	inch	19
	Depth		585		23
Crusher Dimensions [CW Jaw]	Opening	mm	950	inch	37
	Blade Length		220		9
Pulverizer Dimensions [PW Jaw]	Opening	mm	850	inch	33
	Thickness		270		11
	Blade Length		220		9
Cutter Dimensions	Opening	mm	710	inch	28
	Eff. Length		625		25
Cutting/ Crushing Force	[A] Throat	M/T (Metric Ton)	598	lb (X1000)	1,318
	[B] Middle		304		670
Cutting/ Crushing Force [C] Tip					134
Rated Pressure		bar	320	psi	4,600
Rated Oil Flow		lpm	280	gpm	74
DIM with Crusher jaw	Height	mm	2,070	inch	81
	Width		1,150		45
Hyd. Rotation	Pressure	bar	210	psi	3,000
	Oil Flow	lpm	32~45	gpm	8~12
	Speed	RPM	10~15	RPM	10~15
Cycle time	Open	sec	2.5	sec	2.8
	Close		2.3		2.6

Specifications subject to change without notice.

- Height Dim. : Flat top mounting. Measured jaw fully closed.
- Width Dim. : Measured jaw wide open.
- Cutting Force [A] : At rebar blade center
- Cycle time : Measured at rated flow under no load.