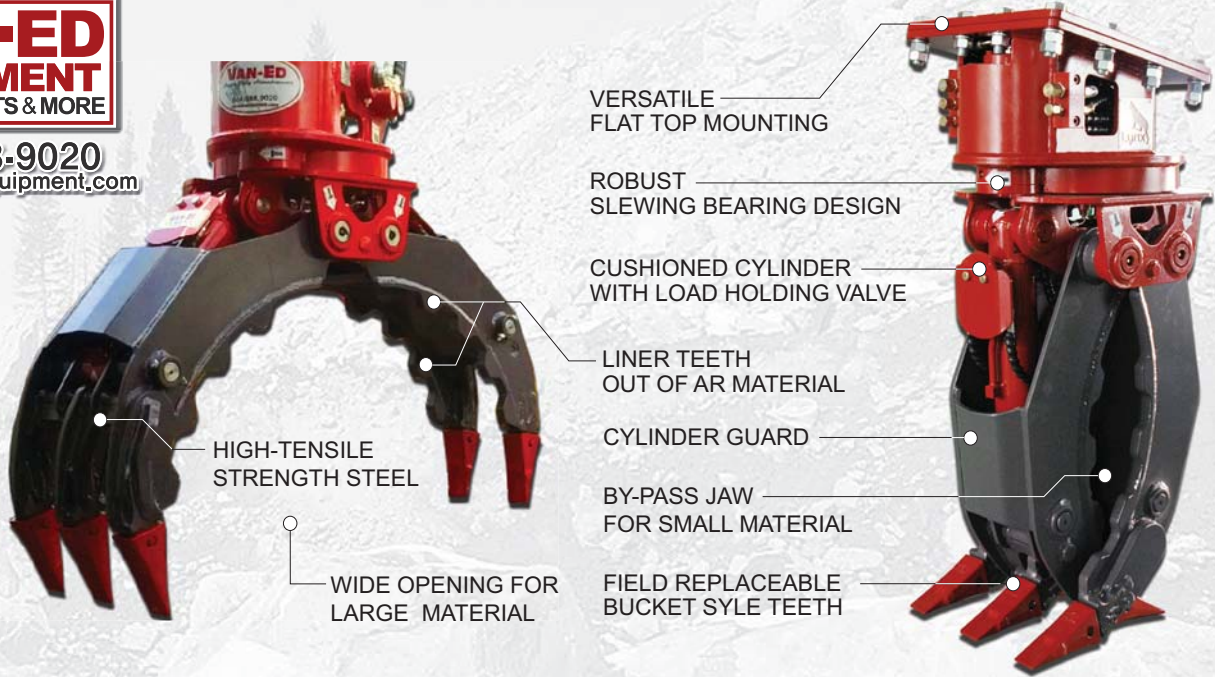


LARGE ROCK GRAPPLE MRG

Versatile Tool for handling rocks, concrete block, steels and any hard materials

VAN-ED
EQUIPMENT
ATTACHMENTS & MORE

604-888-9020
sales@vanedequipment.com



Model		MRG20R	MRG30R	MRG40R	
Carrier Weight	Metric Ton	20~24	25~45	34~42	
Weight	kgs	1,300	1,850	2,220	
	lbs	3,036	3,806	4,900	
Capacity (Grapple Area)	m ²	0.45	0.6	0.78	
	ft ²	4.9	6.5	8.5	
Jaw Dimension	Opening	mm	2,000	2,200	2,500
		inch	78.8	86.6	98.5
	Depth	mm	790	920	1010
		inch	31	36	39
	Inner Jaw With	mm	400	452	457
		inch	15.8	17.8	18.0
Outer Jaw Width	mm	620	715	736	
	inch	24.4	28.0	29.0	
Recommended Flow	lpm	120	150	189	
	gpm	31	39	50	
Cylinder Pressure, Rated	bar	350	350	310	
	psi	5,080	5,080	4,500	
Gripping Force (Jaw Open)	kgs	3,060	4,060	4,760	
	lbs	6,730	8,930	10,500	
Hydraulic Rotation	Pressure	bar	210	210	173
		psi	3,050	3,050	2,500
	Oil Flow	lpm	36	37	37
		gpm	9	10	10
	Speed	RPM	9	9	9
Cycle Time	Sec	2.0	2.3	2.3	

Specifications are subject to change without notice.