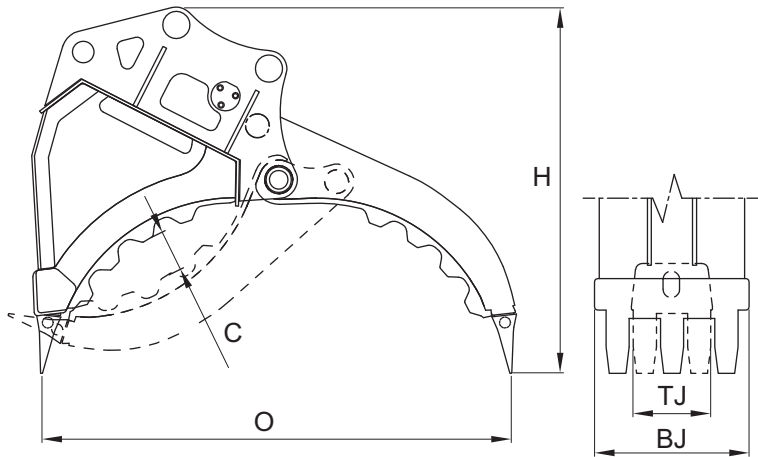


LARGE THUMB BUCKET STB



604-888-9020
sales@vanedequipment.com

- Bucket and thumb combination design eliminating thumb cylinder installation process.
- All the jaws are made of high strength steel.
- Weld-on liner tooth made of abrasion resistant steel for longer life.
- Bucket style replaceable tip tooth, CAT compatible.
- Oversized swing bearing and hydraulic rotation motor equipage with crossover relief valve.



FOR 20-60 TON CARRIER

Model			STB20	STB30
Recommended Carrier Weight	MT		19~24	29~33
	lbs (x1000)		42~53	64~73
Weight	kgs		1,190	1,820
	lbs		2,618	4,004
Overall Height [H]	mm		1,680	1,820
	inch		66	72
Bucket Capacity	m ³		0.6	0.71
	yd ³		0.78	0.93
Jaw Dimension	Opening [O]	mm	1,850	2,265
		inch	73	89
	Closing [C]	mm	175	217
		inch	7	9
	Bucket Width [BJ]	mm	780	780
		inch	31	31
Thumb Width [TJ]	mm	390	408	
	inch	15	16	
Rated Pressure	bar		230	230
	psi		3,340	3,340
Rated Oil Flow	lpm		180	200
	gpm		47	52

Specifications are subject to change without notice.