

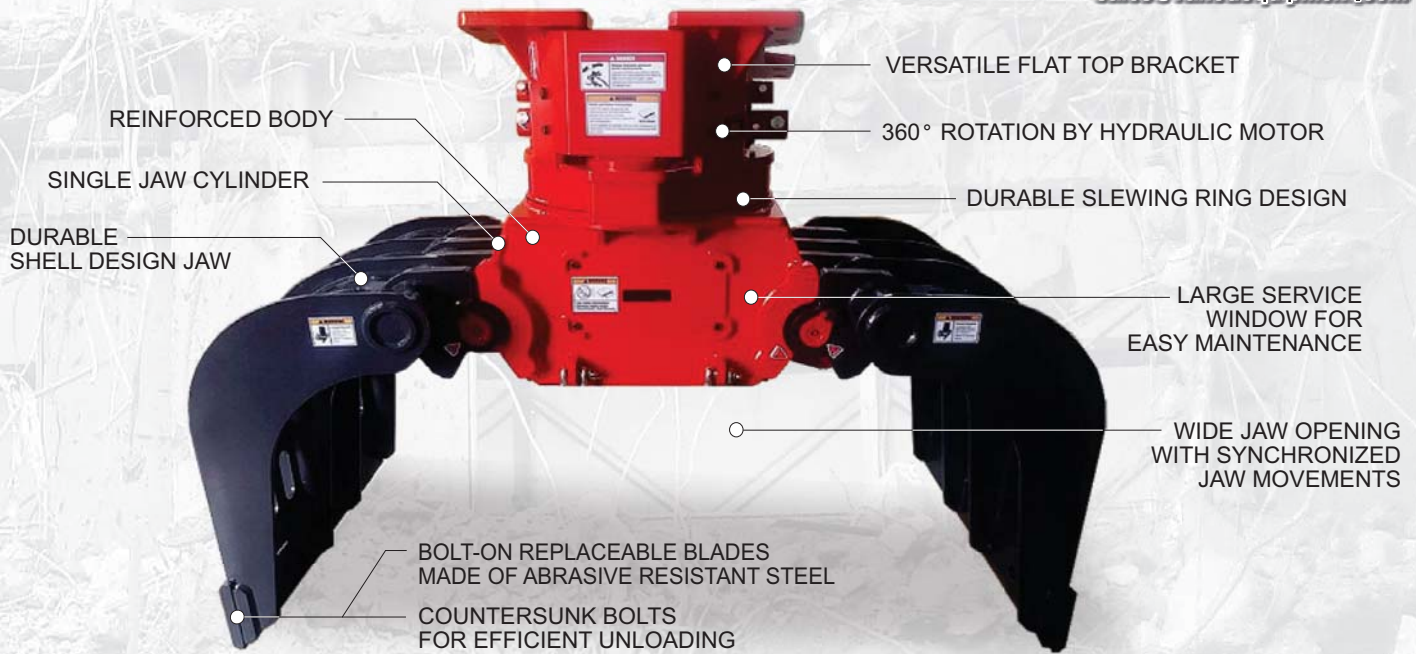
LARGE DEMOLITION SORTING GRAB HSG

Silent Demolition and Sorting/Loading Grapple

- With 360 degree rotator, operator can align jaws without moving machine and pick material from any angle.
- With synchronized jaws, operator can pick small items and place very precisely.

**VAN-ED
EQUIPMENT**
ATTACHMENTS & MORE

604-888-9020
sales@vanedequipment.com



| Model | Unit | HSG21R | HSG31R | |
|---------------------|-----------------|--------------|--------|-------|
| Recommended Carrier | Metric Ton | 16~22 | 23~45 | |
| Weight | kgs | 1,580 | 2,150 | |
| | lbs | 3,480 | 4,730 | |
| Opening | mm | 2,130 | 2,250 | |
| | inch | 84 | 89 | |
| Width | mm | 1,000 | 1,300 | |
| | inch | 39 | 51 | |
| Depth | mm | 625 | 650 | |
| | inch | 25 | 26 | |
| Areal Capacity | m ² | 0.80 | 0.90 | |
| | yd ² | 1.04 | 1.17 | |
| Volume Capacity | liter | 800 | 1,170 | |
| | yd ³ | 2.35 | 2.79 | |
| Jaw | Rated Pressure | bar | 350 | 350 |
| | | psi | 5,080 | 5,080 |
| | Rated Flow | lpm | 120 | 160 |
| | | gpm | 31 | 42 |
| | Closing Force | Metric Ton | 7.0 | 7.8 |
| | | lbs (x1,000) | 3.18 | 3.55 |
| Rotator | Rated Pressure | bar | 170 | 170 |
| | | psi | 2,465 | 2,465 |
| | Rated Flow | lpm | 35 | 49 |
| | | gpm | 9 | 13 |
| | Speed | RPM | 12 | 12 |

Specifications are subject to change without notice.