

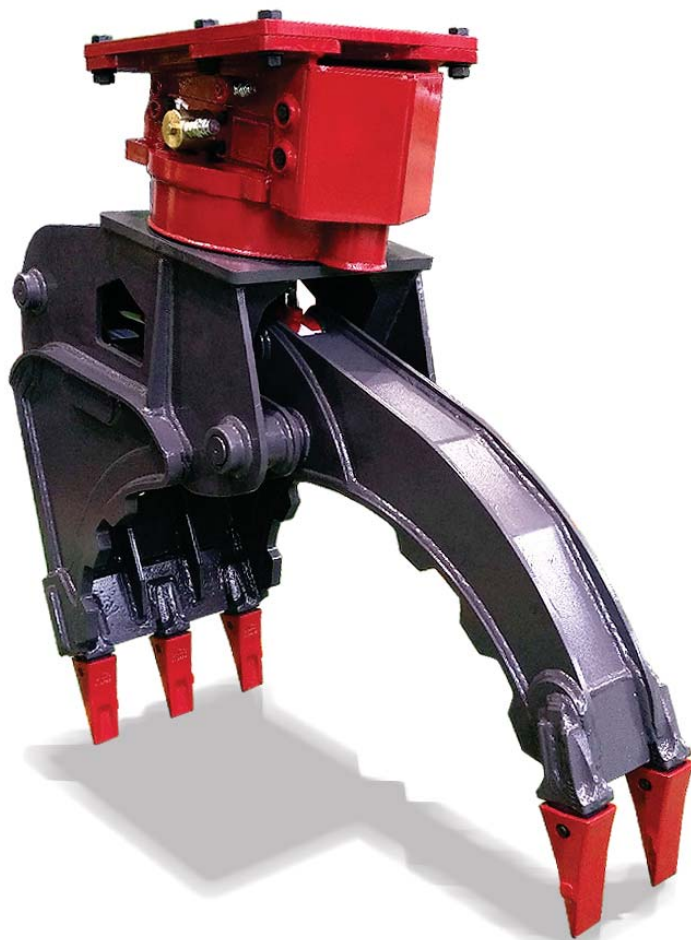
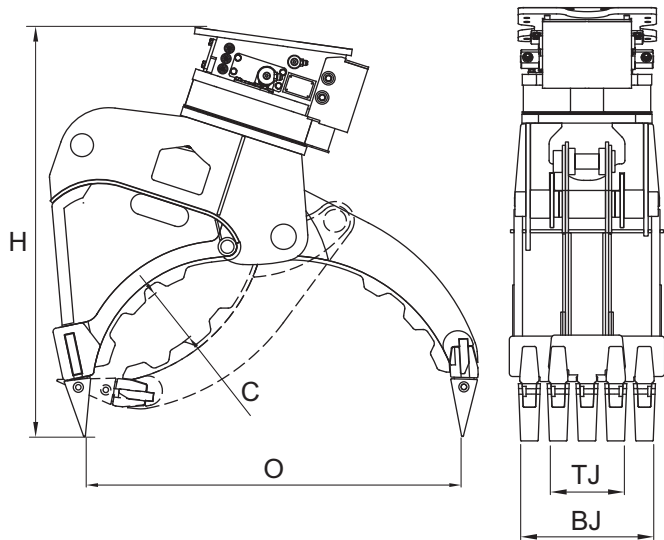
# THUMB BUCKET HTB

FOR 1-10 TON CARRIER

- Versatile tool : Digging bucket with built-in hydraulic thumb.
- Heavy duty construction using high tensile strength steel.
- Wear liner using abrasion resistant material.
- CAT compatible digging bucket teeth.
- Double row slewing bearing.
- Hydraulic rotation motor with cross over relief valve.



604-888-9020  
sales@vanedequipment.com



Model		HTB05R	HTB08R	
Recommended Carrier Weight	MT	4~7	7~10	
	lbs (x1000)	9~15	15~22	
Weight	kgs	320	420	
	lbs	705	926	
Overall Height [H]	mm	1,290	1,200	
	inch	50	47	
Bucket Capacity	m <sup>3</sup>	0.11	0.15	
	yd <sup>3</sup>	0.14	0.2	
Jaw Dimension	Opening [O]	mm	1,117	1,400
		inch	44	55
	Closing [C]	mm	154	205
		inch	6	8
	Bucket Width [BJ]	mm	460	520
		inch	18	20
Thumb Width [TJ]	mm	235	240	
	inch	9	9	
Rated Pressure	bar	210		
	psi	3,050		
Rated Oil Flow	lpm	60		
	gpm	16		
Hydraulic Rotation	Pressure	bar	110	110
		psi	1,600	1,600
	Oil Flow	lpm	20	20
		gpm	5	5
Speed	RPM	15	15	

Specifications are subject to change without notice.