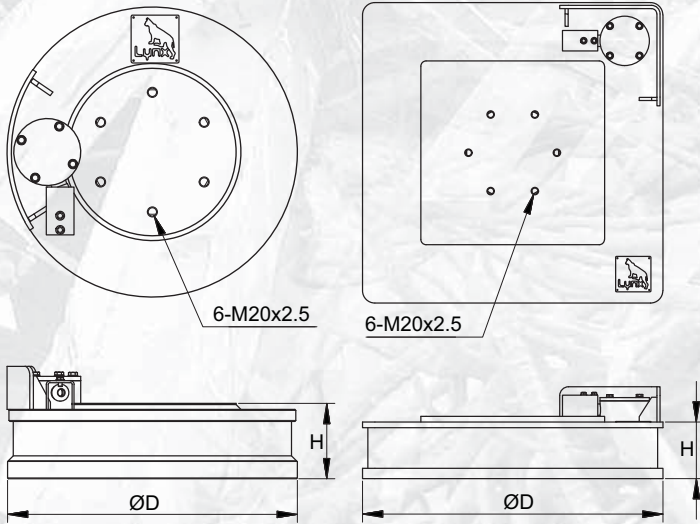


# ELECTRO MAGNET VM

## Heavy Duty Magnets for Demolition Sorting and Recycling Yard.

- Magnet comes with Switch Box, Control Box, Foot Switch, Cables and Wires.
- Bolt-On design for easy & flexible mounting options.
- Field proven 75% duty cycle.
- Simple 24V and powerful 230V systems are available.
- Round shape provides the most efficient coverage to power consumption.
- Square shape provides maximum coverage.
- Two stage battery voltage alarm system.



MODEL NO.	Diameter [D]		Height [H]		Weight		Voltage V	Ampere A	Lifting Capacity* Metric Ton
	mm	inch	mm	inch	kgs	lbs			
<b>ROUND</b>									
VM600R-24/34	600	23.6	150	5.9	230	510	24	38	1.5
VM600R-24/70	600	23.6	150	5.9	260	570	24	70	1.9
VM600R-230/10	600	23.6	150	5.9	300	660	230	10	2.5
VM900R-24/70	900	35.4	160	6.3	500	1,100	24	70	3.0
VM900R-230/28	900	35.4	255	10.0	700	1,540	230	28	9.0
VM1000R-230/36	1,000	39.4	255	10.0	950	2,090	230	36	12
VM1100R-230/42	1,100	43.3	255	10.0	1,100	2,420	230	42	14
VM1200R-230/53	1,200	47.2	255	10.0	1,320	2,900	230	53	16
VM1300R-230/61	1,300	51.2	255	10.0	1,490	3,280	230	61	19
VM1350R-230/68	1,350	53.1	255	10.0	1,650	3,630	230	68	21
VM1500R-230/82	1,500	59.1	255	10.0	1,810	3,980	230	82	24
VM1700R-230/102	1,700	66.9	255	10.0	2,100	4,620	230	102	27
<b>SQUARE</b>									
VM500S-24/34	500	19.7	150	5.9	205	450	24	34	1.5
VM500S-230/7	500	19.7	150	5.9	285	630	230	7	1.9
VM800S-24/70	800	31.5	150	5.9	680	1,500	24	70	2.1
VM850S-24/80	850	33.5	150	5.9	750	1,650	24	80	2.4

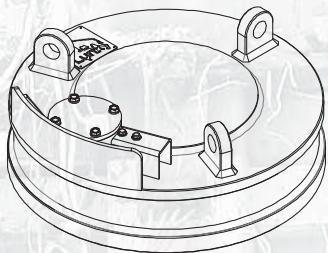
Specifications are subject to change without prior notice.

\* Steel plate without air gap.

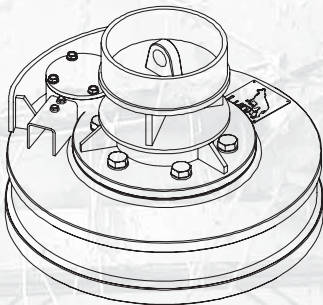


# ELECTRO MAGNET VM

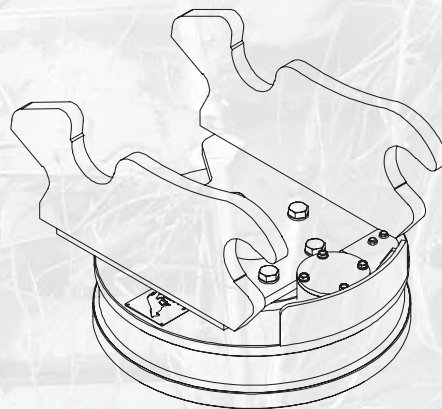
## [MOUNTING OPTIONS]



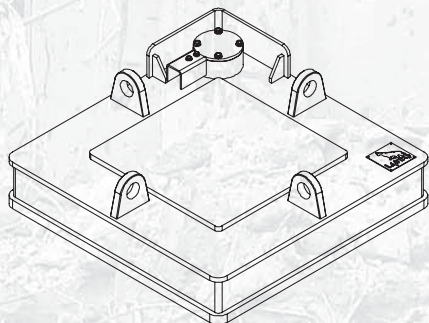
**VM-R MODEL WT**  
[WELD-ON TRIPLE LIFTING EYES]



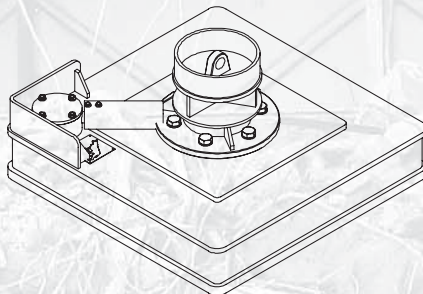
**VM-R MODEL BG**  
[BOLT-ON TOP LIFTING ADAPTER]



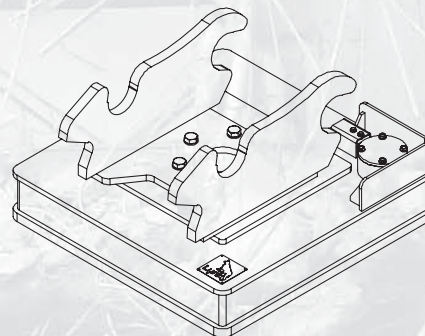
**VM-R MODEL BL**  
[BOLT-ON LUGGING ADAPTER]



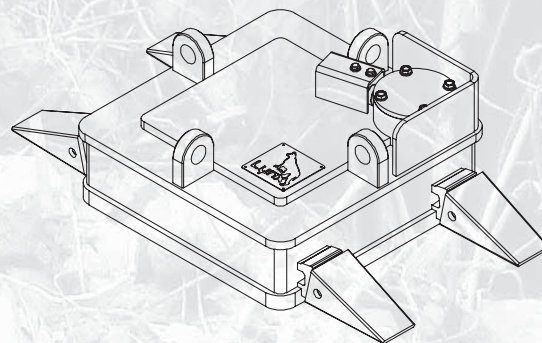
**VM-S MODEL WQ**  
[WELD-ON QUAD LIFTING EYES]



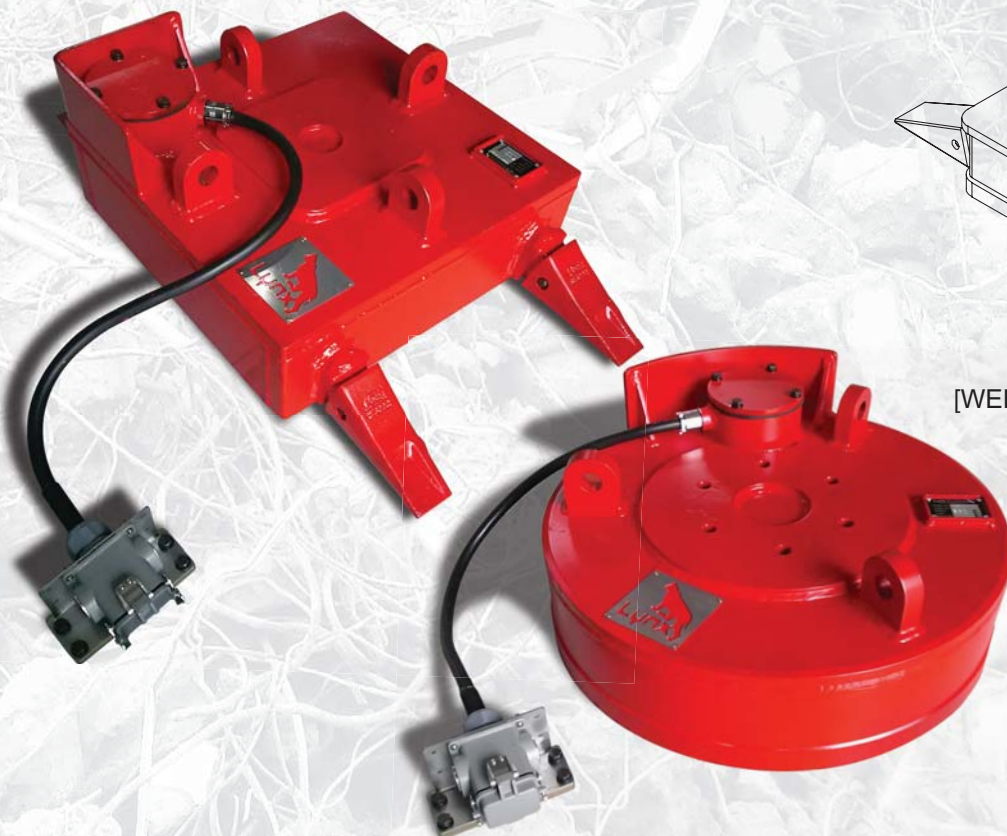
**VM-S MODEL BG**  
[BOLT-ON TOP LIFTING ADAPTER]



**VM-S MODEL BL**  
[BOLT-ON LUGGING ADAPTER]



**VM-S MODEL WQ/T**  
[WELD-ON LIFTING EYE c/w TEETH]



**VAN-ED**  
**EQUIPMENT**  
ATTACHMENTS & MORE

604-888-9020  
sales@vanedequipment.com