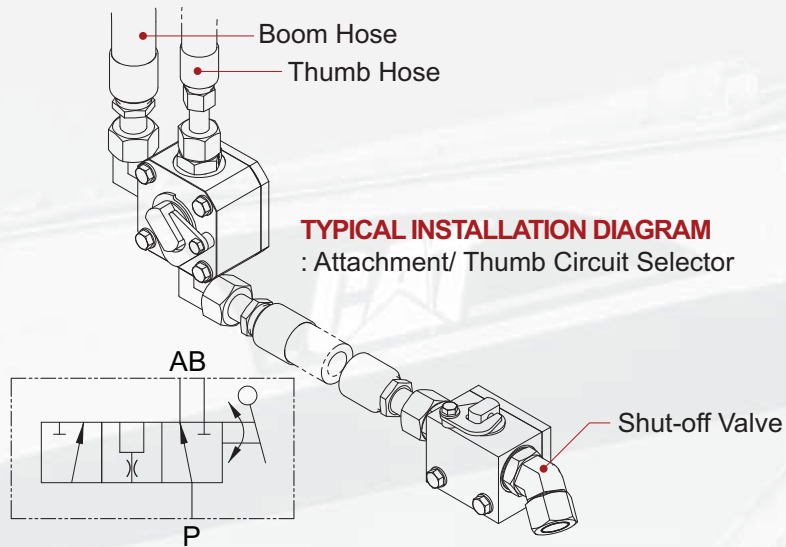
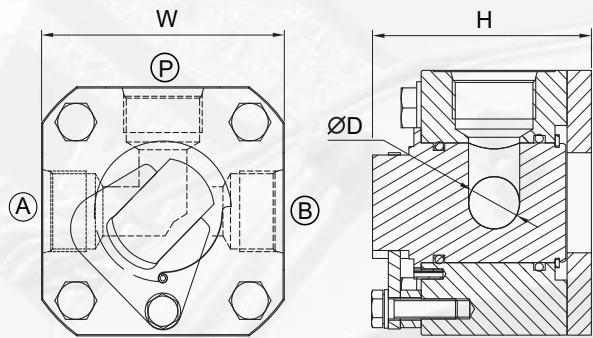


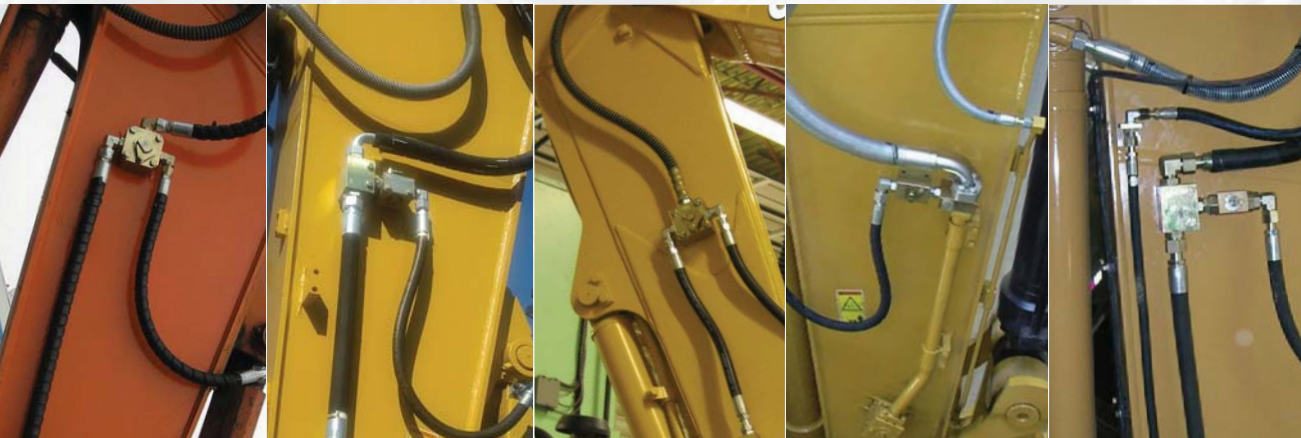
# DIVERTER VALVE ROTARY MANUAL 3W/2P

- Heavy Duty Design
- Metal-on-metal Rotary Spool
- Bolt-on Sub plate for Clean welding
- Anti-corrosion Coating



Part NO.	SAE Size	Port Size	W		M		D		Pressure, MAX		Flow Rating		Bypass Leakage *	
			mm	inch	mm	inch	mm	inch	bar	psi	lpm	gpm	cc/min	cui/min
KVS-5609	-8	3/4-16 UNF-2B	78	3	85	3.3	10	0.39	380	5,500	100	26	10	0.6
KVS-5709	-12	1 1/16-12 UNF-2B	96	3.5	90	3.5	16	0.63			160	42	11	0.67
KVS-5809	-16	1 5/16-12 UNF-2B	106	3.8	90	3.5	22	0.87			270	70	13	0.8
KVS-5909	-20	1 5/8-12 UNF-2B	120	4.2	105	4.2	27	1.06			365	95	13	0.8

\* Tested @ 100bar [1,450psi] with fluid viscosity of 38 cSt



604-888-9020  
sales@vanedequipment.com